



KKV-20/30

Cable Channel Clamp KKV-20/30

For cable channels with an internal width of 20 – 30 cm.

- Durable surface protection by galvanizing.

Type	Length of Gripper mm (in)	Dead Weight kg (lbs)	Gripping Range mm (in)	Working Load Limit/WLL kg (lbs)	Order-Number
KKV-20/30	120 (4¾)	5.5 (10)	200 – 300 (7¾ – 11¾)	150 (330)	53100420

6



VZ-H-UNI-KV Full version

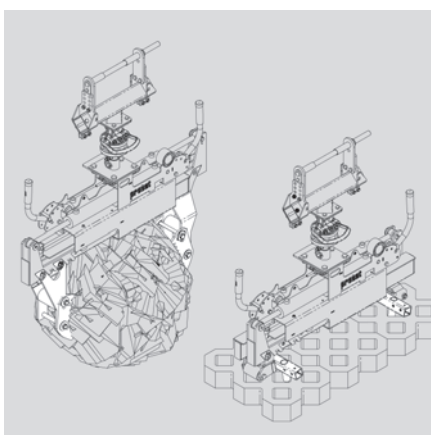
Hydraulic Installation Clamp VZ-H-UNI

A huge variety of building elements for road construction, civil engineering, horticulture and landscaping are handled and installed with this multifunctional clamp: precast kerb stones, granite kerb stones, slabs, L-shaped retaining walls, wall elements, natural stone blocks, grass stones etc.

Infinitely adjustable - without changing any clamp settings, products within a gripping range from 40 – 1,500 mm are picked-up and installed.

Standard grippers are replaced with special rock grippers VZ-H-UNI-FG for installation of wall elements, rocks and boulders.

Add-on: the multifunctional gripping adapter VZ-H-UNI-RG for accurate installation of up to 6 grass pavers (according to the size of layer) in one go. The adapter can be reversed – thus bulky and large-seized slabs are installed by steel finger grippers with millimeter accuracy.



top left: VZ-H-UNI-FG, bottom right: VZ-H-UNI-RG

Scope of delivery

VZ-H-UNI-KV Full version: comes with 1 set of rubber grippers and 1 set of steel finger grippers, clamping unit VZ-H-UNI, continuous hydraulic rotator, universal excavator suspension and set of hydraulic hoses (carrier has to provide 2 separate hydraulic circuits for operation of this full version).