

APR 3520

REVERSIBLE VIBRATORY PLATE



PUTTING BLOCKS IN THEIR PLACE

The APR 3520 has good capabilities with working widths of 45 cm to 60 cm. It is often the vibratory plate of choice for contractors working with pavement blocks with thicknesses up to 10 cm. An optional available rubber mat helps prevent damage during the compaction process. When working on other surfaces and in other applications, the APR 3520 showcases operator friendly features and performance characteristics of all Ammann Vibratory Plate Compactors.

INNOVATIVE HANDLE

- The low vibration handle reduce stress on the operator.
- Round handle for optimized grip for all individual operator
- Opening in handle prevents the machine from getting damaged by lifting on unsuitable positions

MAKES THE GRADE

- Overcomes grades between 30 % and 35 %.

READY TO RENT

- Low-cost upkeep.
- Good match for many applications.
- Easy for new users to operate.

TWIN-SHAFT EXCITER UNIT

- Shaft positioning enables the operator to easily change directions.
- Smooth variable hydrostatic unit allows machine to move easily in forward and reverse.
- "On-the-spot" vibration can be utilised in particularly challenging areas.

DURABLE

- Well-protected, robust centrifugal clutch with wear-resistant V belt.
- Service-friendly exciter unit with long lifetime.
- Wear-resistant, self-cleaning base plate.
- Sturdy protection frame with central lifting point.

APPLICATIONS

- Earthwork and paving applications
- Road and rail track construction
- Compaction work in narrow trenches, confined areas
- Landscape and gardening
- Foundation work
- Sensitive surfaces (with optional rubber mats for stone protection)

AMMANN

TECHNICAL SPECIFICATIONS
APR 3520 REVERSIBLE VIBRATORY PLATE

WEIGHT & DIMENSIONS

	PETROL	DIESEL
MACHINE WEIGHT	263 kg (578 lb)	271 kg (596 lb)
A BASE PLATE LENGTH	410 mm (16.1 in)	410 mm (16.1 in)
B MACHINE LENGTH	860 mm (33.9 in)	860 mm (33.9 in)
C WITH HANDLE	1365 mm (53.7 in)	1365 mm (53.7 in)
D MACHINE HEIGHT	750 mm (29.5 in)	780 mm (30.9 in)
E HANDLE HEIGHT (WORK)	1000 mm (39.4 in)	1000 mm (39.4 in)
F HANDLE HEIGHT (TRANSPORT)	1180 mm (44.9 in)	1180 mm (44.9 in)
G MACHINE WIDTH	600 mm (23.6 in)	600 mm (23.6 in)

ENGINE

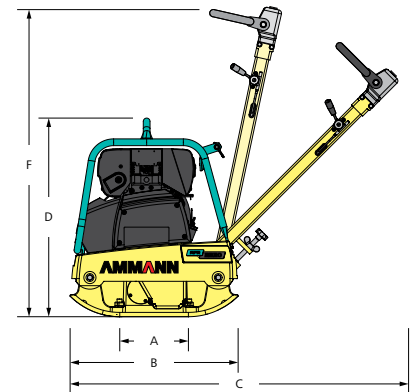
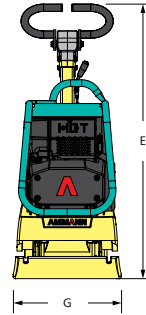
	Honda GX 270	Hatz 1 B 30
ENGINE	Honda GX 270	Hatz 1 B 30
FUEL	Petrol	Diesel
ENGINE OUTPUT	8.6 HP / 6.3 kW	6.3 HP / 4.6 kW
AT RPM	3100	3000
FUEL CONSUMPTION	2.1 l/h (0.5 gal/h)	1.3 l/h (0.3 gal/h)

COMPACTION FORCES

MAX. VIBRATION FREQUENCY	65 Hz (3900 vpm)	65 Hz (3900 vpm)
MAX. CENTRIFUGAL FORCE	38 kN (8.5 lfb)	38 kN (8.5 lfb)
WORKING SURFACE	936 m ² /h	936 m ² /h
WITH EXTENSION PLATES	-	-
MAX. COMPACTION DEPTH (DEPENDING ON GROUND CONDITIONS)	50 cm (19.7 in)	50 cm (19.7 in)

MISCELLANEOUS

SPEED	0–26 m/min	0–26 m/min
FUEL TANK	6 l (1.3 gal)	5 l (1.1 gal)
WATER TANK	-	-
GRADEABILITY	35 %	35 %
MAX. INCLINE TO ALL SIDES	20 °	30 °



STANDARD EQUIPMENT

- Sturdy protection frame with central lifting point
- Powerful and reliable petrol or diesel engine
- 2-shaft exciter with long service intervals
- Well protected, sturdy centrifugal clutch with wear resistant V-Belt
- 3 year extended warranty program

OPTIONAL EQUIPMENT

- Transport wheels
- Vulcollan mat for applications on paving stones
- Electric starter (Diesel engine)
- Hour meter
- 600 mm ground plate

For additional product information and services please visit:
www.ammann-group.com

Specifications are subject to change.

MSS-1056-00-EN | © Ammann Group | Images: © www.fotopizza.com

AMMANN