

MINIPLAN MP Sliding Finisher

This lightweight, handy and smart tool allows effective finishing work on screeded areas. Especially suitable to clean up screed rail marks. But also larger areas can be screeded very quickly, for example around gullies with different falls. Depending on the angle, the operator can decide to let the tool: dig in, to move much material or to float to do only final finishing work.

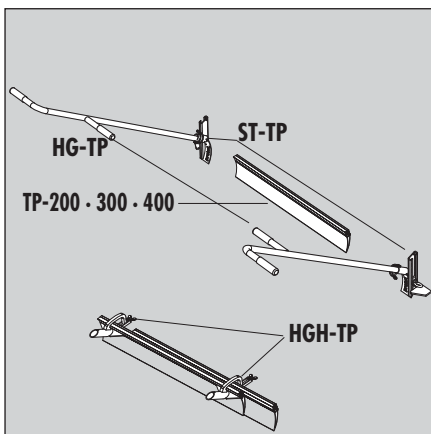
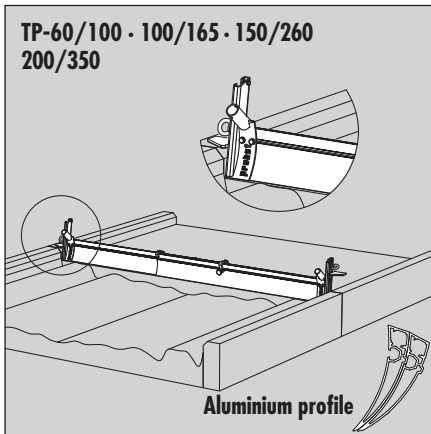
- ▶ Aluminium hollow profile, very lightweight, 700 mm long.
- ▶ Robust, lightweight hardwood handle.
- ▶ Sturdy holder for handle fixed to the profile.

Fast and easy - preparation of accurate alignments:

MP-70-HV provides perfect performance. Simply set the height adjustment to the required measure and the level will fit automatically. The height adjustment can be fixed either at the right or left side of the aluminium profile.

No problem to fit the height adjustment HV-MP to your existing MP-70 later.

Simple attachment to the aluminium profile either right- or left-hand.



Type	Working Width mm (in)	Adjustable height stop mm (in)	Dead Weight kg (lbs)	Order-Number
MP-70-HV	700 (27 1/2")	45 - 170 (1 1/2 - 6 3/4")	2 (4)	5101.0007
MP-70	700 (27 1/2")	without height adjustment	1.7 (3.7)	5101.0004
HV-MP [Ⓢ]		45 - 170 (1 1/2 - 6 3/4")	0.3(0.7)	4101.0039

TELEPLAN TP Handscreeding System patented

The new TELEPLAN TP aluminium profile is sickle shaped. As a result the profile cuts itself into the bedding material and does not move upwards! No need for executing any force to push it down when pulling. Especially when screeding compacted sand, also in case of the screed bar cannot be moved sideways „sawing off“ the bedding material due to lateral obstacles or boundaries, the advantages of the TP profile are enormous with regard to effort of energy, working speed and high-quality performance of the laying course. Two (2) TP profiles can be connected together in order to be telescopically adjusted in a simple and sturdy way. Thus one and the same tool can be used for various working widths. The lightweight aluminium hollow profile is extremely sturdy (high-tensile material - weight is 1.3 kg per meter). Long Lifespan!

- ▶ Two fixed clamping units to connect both profiles, clamping units can not get lost.
- ▶ Side parts with height adjustable height stop (ST-TP) on both sides, range of adjustment 0-127 mm. Can be taken off quickly if required.
- ▶ Intergrated fitting for additional pulling handles HG-TP included in the side parts.

- ▶ One level indicator incorporated inside the TP profile.

Optional extra equipment:

Handle HG-TP: Set of 2 pulling handles, allowing relaxed and ergonomically correct body position standing upright and not kneeling in the wet sand. Handles HG-TP can easily be fixed through plug-in connectors to the side parts ST-TP.

Handle fastener HGH-TP: one set consisting of two (2) pieces. Can be fixed easily in any position at the profile even at the overlapping sections to fasten the two handles HG-TP. Enables just one person to screed larger working widths in upright position easy-going and quickly.

Profile TP: 200 - 300 - 400

Aluminium profile only, without level indicators Prepared to fit the side parts ST-TP with height adjustable stops at any later time.

Side parts ST-TP:

Side parts with height adjustable supports, come as a pair. Range of adjustment 0 - 127 mm, can be fitted and taken off at any time. With integrated fittings for handle HG-TP.

Type	Number of	Working Width mm (in)	Dead Weight kg (lbs)	Order-Number
TP-60/100*	1 piece	600 - 1.000 (24" - 39")	3,7 (8.2)	5101.0006
TP-100/165*	1 piece	1.000 - 1.650 (39" - 65")	4,6 (10)	5101.0001
TP-150/260*	1 piece	1.500 - 2.600 (59" - 102")	6,0 (13)	5101.0002
TP-200/350*	1 piece	2.000 - 3.500 (79" - 138")	7,3 (15)	5101.0003
HG-TP [Ⓢ]	1 pair		2,4 (5)	5101.0005
HGH-TP [Ⓢ]	1 pair		0,8 (1.8)	5101.0008
TP-200	1 piece	2.000 (79")	2,7 (6)	4101.0014
TP-300	1 piece	3.000 (118")	4 (9)	4101.0015
TP-400	1 piece	4.000 (157")	5,4 (10)	4101.0016
ST-TP [Ⓢ]	1 pair		1,5 (3)	4101.0019

[Ⓢ] Durable surface protection by galvanizing

*Side parts ST-TP already included.