

Telescopic Screeding System TAS-UNI

Universally suitable for precise and flexible screeding of laying courses on both, large and small sites. Comfortable upright working position.

Consisting of the following components:
Telescopic aluminium screeding profiles, height adjustable roller units on either side, pulling elements.

The aluminium profile has been optimized. So the device does neither move upwards when pulled by hand nor when pulled with chains mechanically. In one run a clean and exact screed can be produced.

The profile was increased in order to be able to move more material when the pre-distribution of the screeding material is very rough.

Step above the roller unit on which the operator can stand to increase the pressure to the ground when using the TAS-M mechanically.

Working width up to 6,000 mm (20 feet) by duplicating the profile.

Special aluminium profiles, consisting of a low wear, high-tensile alloy are designed to be fully telescopic to one another, stepless. With integrated jam system to lock the telescopic parts in any desired position.

All metall parts are galvanized.

At each side equipped with height adjustable roller units, including screeding rail cleaning wiper as well as material turn-away metal sheet.

Proper height adjustment can be read from a scale (0 – 25 cm).

For mechanical operation 2 pulling chains are included in the standard equipment.

Particularly handy:

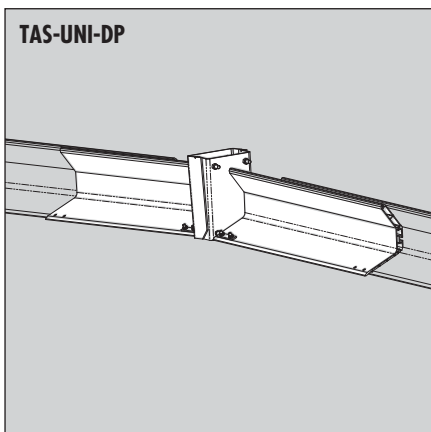
For hand operation the TAS can be easily pulled by means of standard shovels while standing in comfortable upright position!

Type	Working Width mm (in)	Dead Weight kg (lbs)	Order-Number
TAS-UNI-450 recommended basic configuration: - 1 Aluminium-Profile each of 750, 1,000, 1,750, 2,000 mm long (30", 40", 69", 80 ") - with integrated clamping adjustment - 1 set = 2 side positioned, height-adjustable roller units with metal steps and sheet-metal wipers - with integrated fastener for the required segments with hook-in-system for shovel - 2 pulling chains, incl. hooks	750 – 4,500 (29 1/2" – 177")	78 (170)	5100.0042
TAS-UNI-600 standard configuration as above, plus 1 Alu-Profile 3,000 mm long	750 – 6,000 (29 1/2" – 236")	100 (220)	5100.0043

Adjustable Adapter for Roof-/Pan Profile TAS-UNI-DP

With this adjustable adapter any roof or pan profile of +/- 4% can be screeded.

The adapter can be adjusted exactly and directly above scale.



Type	Description	Dead Weight kg (lbs)	Order-Number
TAS-UNI-DP	1 adjustable adapter for roof and pan profiles (+/- 4 %) 2,100 mm long (7 feet)	25 (55)	4100.0173

Screeding Rails AZL see type list, page 3.7