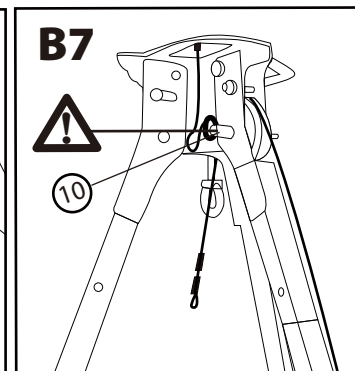
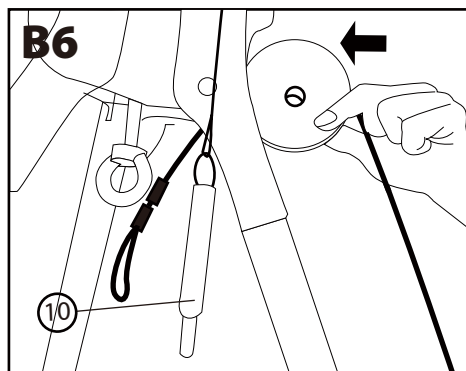
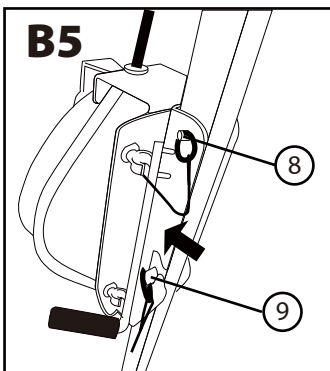
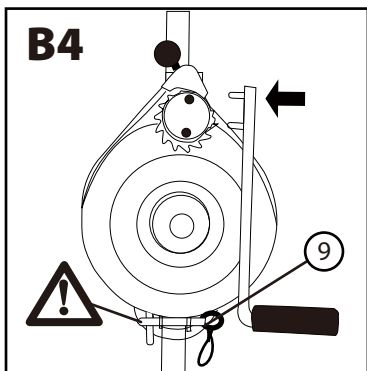
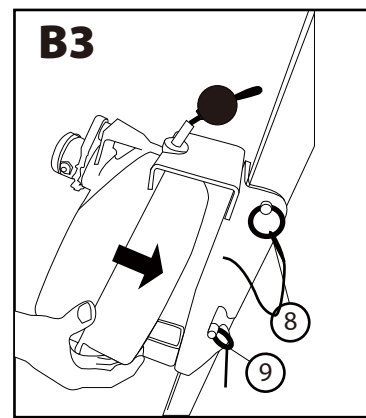
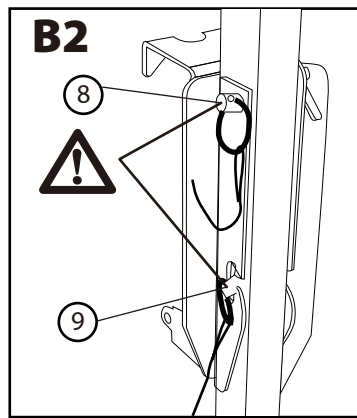
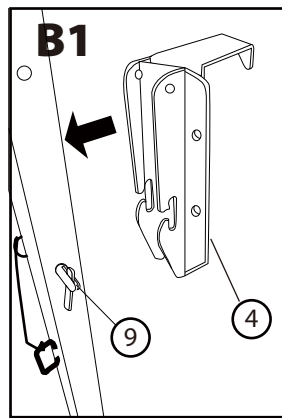
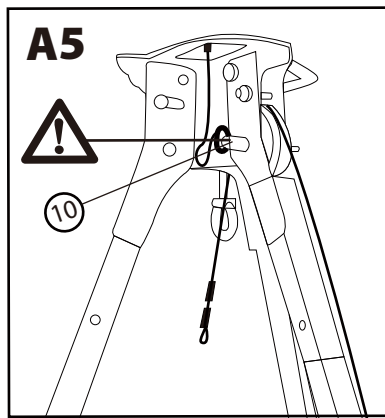
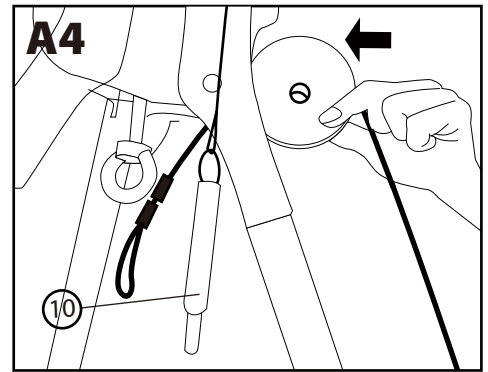
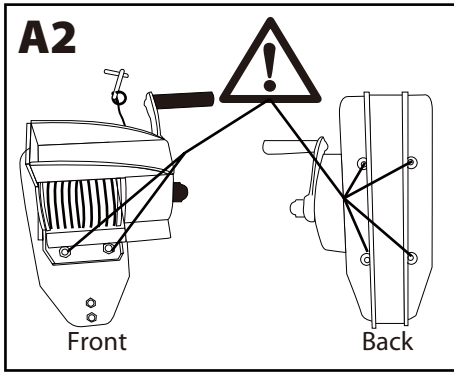
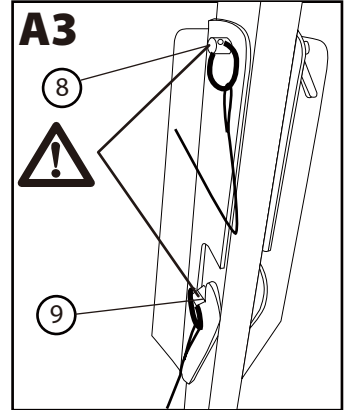
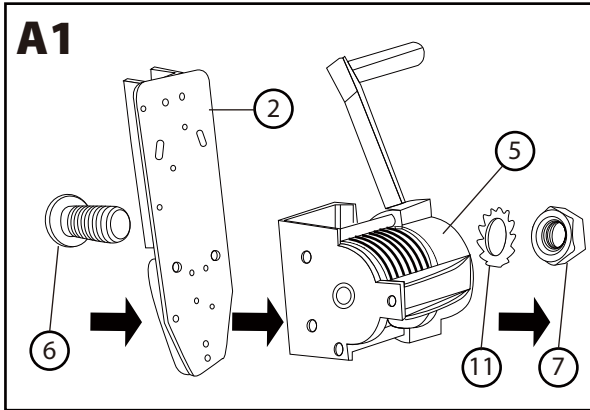
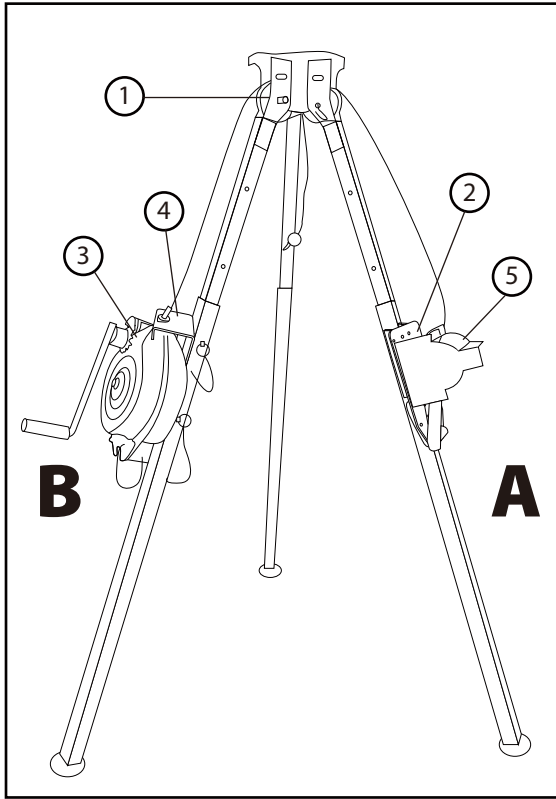


# TRIPOD assembling Instruction



<b>TRIPOD COMPONENTS LIST</b>		
<b>Component representation No</b>	<b>Description</b>	<b>Unit</b>
①	TR020	1
②	TR102	1
③	TR007	1
④	TR101	1
⑤	TR003F	1
⑥	SCREW M10	4
⑦	NUT M10	4
⑧	DRIFT PIN $\varnothing$ 10mm	3
⑨	DRIFT PIN $\varnothing$ 12mm	4
⑩	DRIFT PIN $\varnothing$ 16mm	2
⑪	ELASTIQUE SPACER M10	4