



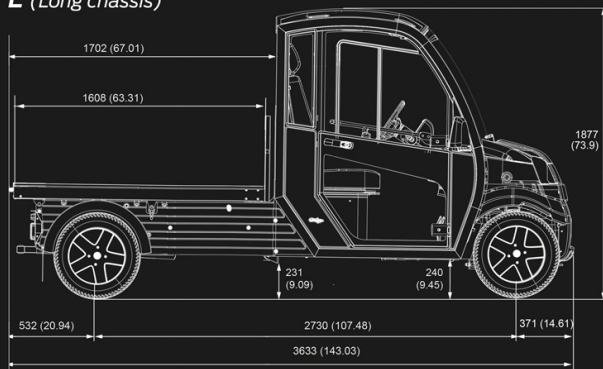
melex® N.50

100% ELECTRIC STREET LEGAL

DIMENSIONS

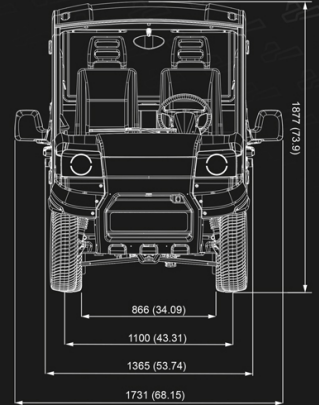
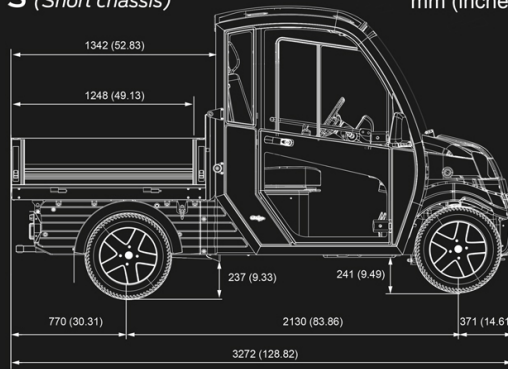
L (Long chassis)

mm (inches)



S (Short chassis)

mm (inches)



SPECIFICATIONS:

| | L (LONG WHEEL BASE) | S (SHORT WHEEL BASE) |
|---|----------------------------------|-----------------------------|
| Motor 48V | High Efficiency 3-phase AC Motor | |
| Output rating | 8 kW (10,7 Hp) | |
| Peak power | 14,3 kW (19,2 Hp) | |
| Motor controller | Curtis 350 A | |
| Battery | ReLion 200 Ah | |
| Battery capacity | 10,24 kWh | |
| Chassis | Hot dip galvanized steel frame | |
| Brakes | Discs front, drums rear | |
| Tires | 165/70 R13 | |
| Outer turning radius | 4250 mm (13.94 feet) | 3400 mm (11.15 feet) |
| Mass in running order | 550 kg (1213 lbs) | 536 kg (1182 lbs) |
| Technically permissible maximum mass | 1850 kg (4079 lbs) | 1350 kg (2976 lbs) |
| Performance | | |
| Top speed | 50 Km/h (31 mph) | |
| Range (WLTP - combined range) | 73 Km (45 miles) | |
| Operating grade | < 20% | |

