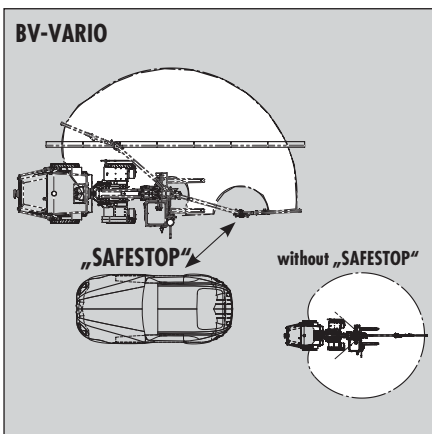
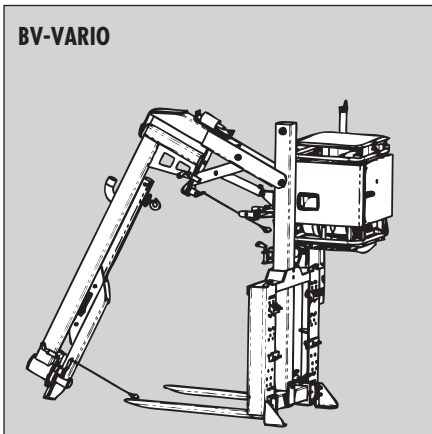




**Requirements for hydraulic operation:**  
(Operating hydraulics of the carrier)

- Volumetric flow (l/min), usable min. 16, max. 70
- Working pressure (bar), usable min. 200, max. 320
- Backflow pressure: max. 10 bar
- Lockable control lever for operating hydraulics (continuous oil flow)



## JUMBO-BV-VARIO Vacuum Kerb Stone Installation Machine

This BV-VARIO with knuckle boom jib is equipped with innovative Probst safety features, thus highest safety in the slewing range!

Mostly kerb stones are installed one side of the road, while on the other side vehicles are still allowed to drive. Existing knuckle boom jibs provide some advantages, such as space requirements, but usually they have disadvantages because it cannot be avoided that they might swing into the trafficed area. This could cause fatal accidents.

**NEW: Innovative Safety Feature: knuckle boom with shifting suspension SKVA with „SAFESTOP“**

JUMBO-BV-VARIO Kerb Stone Installation Machine: via two adjustment bolts, the operator can make sure, whether he only wants to install on the left side, the right side or on both sides of the loader. Now it is easy, fast and safe to do installation works up to 150 kg (330 lbs) also along-side walls, around trees or posts.

- SKVA with „SAFESTOP“ never reaches into the traffic area!

**Vacuum Components:**

- Petrol engine and vacuum turbine unit with silencer.
- Alternatively: hydraulically powered.
- Supply hose and lifting hose.
- Lifting height from fork prong level up to approximately 1,100 mm.
- Operating Valve unit with handle, dust filter.
- Kerb stone suction gripper with durable foam rubber seal, also suitable for natural kerbstones.
- All components can be changed using quick fasteners.

**Pillar Swing Crane:**

- With hydraulic, vertical tilt capability, diagonal to the direction in which it is travelling.

- Capable of tilting in the direction in which it is travelling via the pivotal cylinder of the loading bucket.

- Swing range of the crane jib appr. 270°.
- Height of the jib appr. 2,800 mm.
- The jib can be folded hydraulically.

**Suction plate:**

- Incl. 1 kerb stone suction plate ESP 150 (Working load limit 150 kg).

**High benefits:**

- Installing heavy elements by vacuum lifting force light as a feather, combined with best logistic: distribution and installation in one go. Cost effective and health and safety conjus for your workers.
- The jib can be folded down for compact transportation measurements quick and easy via a hydraulic cylinder.
- Feeding the vacuum to the lifting unit by well thought out turning passage through the knuckle boom link.
- Easy and quick locking of both knuckle boom links by spring loaded bolt.
- Time saving: 7 kerbs, each 1,000 mm (39") long can be installed without moving the loader.
- Well proven quick change device for fitting different suction plates within less than one minute.

**Accessories:**

Due to the attendance on the market for several decades, Probst is the only supplier who has access to more than 1000 different suction plates, which have been manufactured and successfully used in the past (For proper suction plates refer to type list 5.22-5.25).

Type	Drive	Power (kW)	Reach mm (in)	Type of jib	Length of installation mm (in)	Working Load Limit WLL kg (lbs)	Dead-Weight kg (lbs)	Direction of folding the jib	Order-Number
JUMBO-BV-VARIO-B	Petrol engine	8,1	3,500 (138")	SKVA	7.000 (276")	150* (330)	520 (1,150)	forward	5220.0011
JUMBO-BV-VARIO-D	Diesel engine	5,5	3,500 (138")	SKVA	7.000 (276")	150* (330)	540 (1,190)	forward	5220.0013
JUMBO-BV-VARIO-H	hydraulic		3,500 (138")	SKVA	7.000 (276")	150* (330)	490 (1,080)	forward	5220.0012

\* Value at 420 mbar low pressure