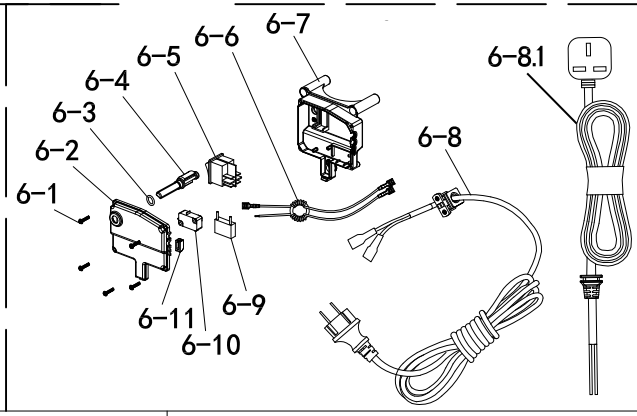
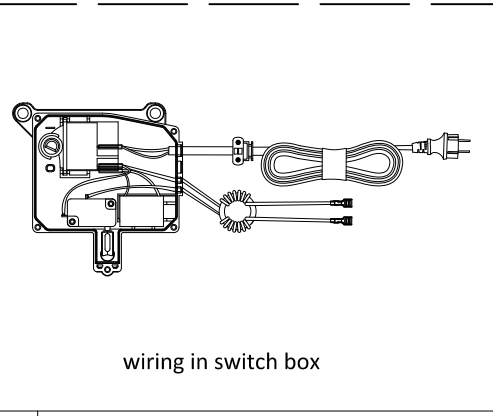
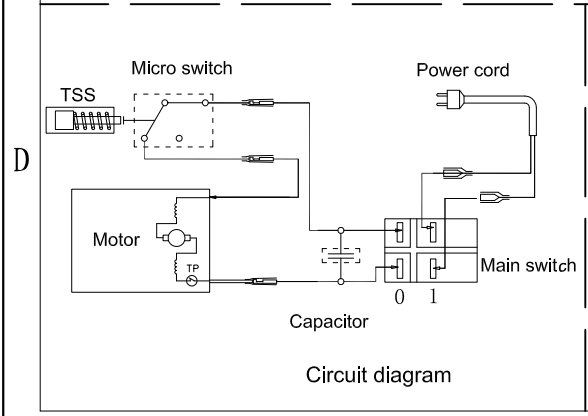


V3 Main valve kit A

V3 pump body kit A

V3 piston kit



Rev. **1.60**  
 Date: 22.09.2023  
 Note:



## GO P50

Number	Pcs	English name	AVA Part number	Note	Kit Part number
1	1	AVA GO P50 front case	95-100-243		
2	1	AVA GO switch knob	95-100-223		
3	1	130 motor cover	95-100-242		95-100-436
4	1	130 motor cap	95-100-241		95-100-436
5	1	AVA Go back case	95-100-220		
6	1	AQT35-12 Switch box kit	95-100-219		95-100-423
7	1	9650 motor pump kit			
8	1	AVA GO handle cover	95-100-231		
9	1	AVA GO cover	95-100-230		
10	1	AVA outlet connector	95-100-229		95-100-426
11	1	AVA GO connector cover up	95-100-228		95-100-427
12	1	Quick connector Spring	95-100-158		95-100-426
13	1	AVA GO connector cover down	95-100-227		95-100-427
14	8	Screw ST4. 8*16	95-100-294		
6-1	5	Screw ST2. 9*12	95-100-218		95-100-423+487
6-2	1	AQT33-10 switch box up case	95-100-217		95-100-423+487
6-3	1	O-ring (8*2 NBR 60)	95-100-216		95-100-423+487
6-4	1	WS-switch-box-shaft	95-100-215		95-100-423+487
6-5	1	ON/OFF switch	95-100-214		95-100-423+487
6-6	1	motor wires with inductor	95-100-213		95-100-423+487
6-7	1	AQT33-10 switch box down case	95-100-212		95-100-423+487
6-8	1	Power cord (2*1.0) EU plug	95-100-211		95-100-423
6-8.1	1	Power cord (2*1,0mm <sup>2</sup> ) UK plug	95-100-483		95-100-487
6-9	1	Capacitor 0.33uF	95-100-210		95-100-423+487
6-10	1	Micro switch Go	95-100-209		95-100-423+487
6-11	1	Slider	95-100-208		95-100-423+487
7-1	3	Piston return spring(ID)	95-100-145		95-100-689
7-2	3	Piston 12mm	95-100-207		95-100-689
7-3	3	Piston spring lock	95-100-206		95-100-689
7-4	1	Bearing 51105	95-100-135		
7-5	1	Wobble plate 10.4°	95-100-240		95-100-437
7-6	1	Bearing 6303	95-100-204		95-100-437
7-7	1	Oil sealing (17*30*7)	95-100-138		95-100-437
7-8	1	Oil tank	95-100-203		95-100-437
7-9	1	O-ring (63*2.65 NBR 80)	95-100-202		95-100-437
7-10	1	Gear shaft	95-100-141		95-100-437
7-11	1	Gear with 50 teeth	95-100-201		95-100-437
7-12	1	Bearing 629	95-100-200		95-100-437
7-13	1	Motor 7645	95-100-235		
7-14	4	Screw with gasket M6*25 (8.8)	95-100-198		95-100-437
7-15	1	O-ring (61.5*2 NBR 80)	95-100-147		
7-16	1	Piston guide	95-100-197		95-100-689
7-17	3	Oil sealing 12x20x5,5	95-100-196		95-100-689
7-18	3	Water in and outlet valve seat	95-100-195		95-100-689
7-19	3	Screw M6*20(8.8)	95-100-149		95-100-689
7-20	1	Motor filter	95-100-194		
7-21	3	Water sealing (12*18*5.1)	95-100-193		95-100-438
7-22	1	Pump body	95-100-192		95-100-438
7-23	6	One way valve kit	95-100-234		95-100-438
7-24	3	Water in and out valve washer	95-100-190		95-100-438
7-25	1	Total one way valve seat kit	95-100-189		95-100-433
7-26	1	SF03 Outlet one way valve kit;white	95-100-155		95-100-433
7-27	1	Outlet one way valve spring;Φ5.3*9	95-100-156		95-100-433

7-28	1	Big triangle NBR90	95-100-157		95-100-422+822
7-29	1	Plug for injector hole kit	95-100-188		95-100-422+822
7-30	1	Auto s/s valve seat kit Red 2.7	95-100-233		95-100-422+822
7-31	1	O-ring (8.5*2 NBR 90)	95-100-161		95-100-422+822
7-32	1	Overflow washer plastic	95-100-165		95-100-422+822
7-33	1	Auto s/s valve	95-100-162		95-100-422+822
7-34	1	Overflow washer	95-100-163		95-100-422+822
7-35	1	O-ring (3.5*1.8 NBR 90)	95-100-166		95-100-422+822
7-36	1	Auto s/s spring	95-100-164		95-100-422+822
7-37	1	Auto s/s plug	95-100-167	To serial no. Xxxxxx	95-100-422
7-39	1	U-pin for pump inlet connector	95-100-186		95-100-422+822
7-40	1	Pump head	95-100-185	To serial no. Xxxxxx	95-100-422
7-41	1	U-pin for pump outlet extension	95-100-184		95-100-422+822
7-42	1	Inlet extension kit	95-100-183		95-100-422+822
7-43	1	Screw M6*60(8.8)	95-100-232		95-100-422+822
7-44	1	Oil: Anti wear oil 46#	x830.008		
7-45	1	Graese Shell Alvania RL3	x830.009		
7-46	1	2022 Auto plug sleeve	95-100-819	From serial no. Xxxxxx	95-100-822
7-47	1	O-ring (12.2*1.9 NBR 90)	95-100-353	From serial no. Xxxxxx	95-100-822
7-48	1	2022 Auto plug	95-100-820	From serial no. Xxxxxx	95-100-822
7-49	1	Pump head External thread	95-100-821	From serial no. Xxxxxx	95-100-822

### GO P50 Kits

	1	GO Switch box kit EU	95-100-423	Fits GO P30, 40, 50, 55	
6-1	5	Screw ST2. 9*12	95-100-218		95-100-423
6-2	1	AQT33-10 switch box up case	95-100-217		95-100-423
6-3	1	O-ring (8*2 NBR 60)	95-100-216		95-100-423
6-4	1	WS-switch-box-shaft	95-100-215		95-100-423
6-5	1	ON/OFF switch	95-100-214		95-100-423
6-6	1	motor wires with inductor	95-100-213		95-100-423
6-7	1	AQT33-10 switch box down case	95-100-212		95-100-423
6-8	1	Power cord (2*1.0) EU plug	95-100-211		95-100-423
6-9	1	Capacitor 0.33uF	95-100-210		95-100-423
6-10	1	Micro switch Go	95-100-209		95-100-423
6-11	1	Slider	95-100-208		95-100-423

	1	UK Switch box kit w.cable for GO-Series	95-100-487	Fits GO P30, 40, 50, 55	
6-1	5	Screw ST2. 9*12	95-100-218	UK plug	95-100-487
6-2	1	AQT33-10 switch box up case	95-100-217	UK plug	95-100-487
6-3	1	O-ring (8*2 NBR 60)	95-100-216	UK plug	95-100-487
6-4	1	WS-switch-box-shaft	95-100-215	UK plug	95-100-487
6-5	1	ON/OFF switch	95-100-214	UK plug	95-100-487
6-6	1	motor wires with inductor	95-100-213	UK plug	95-100-487
6-7	1	AQT33-10 switch box down case	95-100-212	UK plug	95-100-487
6-8	1	Power cord (2*1,0mm <sup>2</sup> ) UK plug	95-100-483	UK plug	95-100-487
6-9	1	Capacitor 0.33uF	95-100-210	UK plug	95-100-487
6-10	1	Micro switch Go	95-100-209	UK plug	95-100-487
6-11	1	Slider	95-100-208	UK plug	95-100-487

	1	AVA GO Oil tank kit-P50	95-100-437	Fits GO P50	
7-5	1	Wobble plate 10.4°	95-100-240		95-100-437
7-6	1	Bearing 6303	95-100-204		95-100-437
7-7	1	Oil sealing (17*30*7)	95-100-138		95-100-437
7-8	1	Oil tank	95-100-203		95-100-437

7-9	1	O-ring (63*2.65 NBR 80)	95-100-202		95-100-437
7-10	1	Gear shaft	95-100-141		95-100-437
7-11	1	Gear with 50 teeth	95-100-201		95-100-437
7-12	1	Bearing 629	95-100-200		95-100-437
7-14	4	Screw with gasket M6*25 (8.8)	95-100-198		95-100-437

	1	V3 Piston guide kit	95-100-689	Fits Go P30-40-50-55	
7-1	3	Piston return spring(ID)	95-100-145		95-100-689
7-2	3	Piston 12mm	95-100-207		95-100-689
7-3	3	Piston spring lock	95-100-206		95-100-689
7-19	3	Screw M6*20(8.8)	95-100-149		95-100-689
7-18	3	Water in and outlet valve seat	95-100-195		95-100-689
7-17	3	Oil sealing 12x20x5,5	95-100-196		95-100-689
7-16	1	Piston guide	95-100-197		95-100-689

	1	V3 pump body kit A	95-100-438	Fits GO P30-40-50-55	
7-21	3	Water sealing (12*18*5.1)	95-100-193	Can be replaced w. 95-100-578 in combination w 95-100-454	95-100-438
7-22	1	Pump body	95-100-192	Can be replaced w. 95-100-578 in combination w 95-100-454	95-100-438
7-23	6	One way valve kit	95-100-234	Can be replaced w. 95-100-578 in combination w 95-100-454	95-100-438
7-24	3	Water in and out valve washer	95-100-244	Can be replaced w. 95-100-578 in combination w 95-100-454	95-100-438

	1	V3 P40-50-55 pump head kit	95-100-422	Fits Go P40-50-55	
7-28	1	Big triangle NBR90	95-100-157		95-100-422
7-29	1	Plug for injector hole kit	95-100-188		95-100-422
7-30	1	Auto s/s valve seat kit Red 2.7	95-100-233		95-100-422
7-31	1	O-ring (8.5*2 NBR 90)	95-100-161		95-100-422
7-32	1	Overflow washer plastic	95-100-165		95-100-422
7-33	1	Auto s/s valve	95-100-162		95-100-422
7-34	1	Overflow washer	95-100-163		95-100-422
7-35	1	O-ring (3.5*1.8 NBR 90)	95-100-166		95-100-422
7-36	1	Auto s/s spring	95-100-164		95-100-422
7-37	1	Auto s/s plug	95-100-167	To serial no. Xxxxxx	95-100-422
7-39	1	U-pin for pump inlet connector	95-100-186		95-100-422
7-40	1	Pump head	95-100-185	To serial no. Xxxxxx	95-100-422
7-41	1	U-pin for pump outlet extension	95-100-184		95-100-422
7-42	1	Inlet extension kit	95-100-183		95-100-422
7-43	1	Screw M6*60(8.8)	95-100-232		95-100-422

	1	V3 P40-50-55 pump head kit Ver.2	95-100-822	Fits Go P40-50-55	
7-28	1	Big triangle NBR90	95-100-157		95-100-822
7-29	1	Plug for injector hole kit	95-100-188		95-100-822
7-30	1	Auto s/s valve seat kit Red 2.7	95-100-233		95-100-822
7-31	1	O-ring (8.5*2 NBR 90)	95-100-161		95-100-822

7-32	1	Overflow washer plastic	95-100-165		95-100-822
7-33	1	Auto s/s valve	95-100-162		95-100-822
7-34	1	Overflow washer	95-100-163		95-100-822
7-35	1	O-ring (3.5*1.8 NBR 90)	95-100-166		95-100-822
7-36	1	Auto s/s spring	95-100-164		95-100-822
7-39	1	U-pin for pump inlet connector	95-100-186		95-100-822
7-41	1	U-pin for pump outlet extension	95-100-184		95-100-822
7-42	1	Inlet extension kit	95-100-183		95-100-822
7-43	1	Screw M6*60(8.8)	95-100-232		95-100-822
7-46	1	2022 Auto plug sleeve	95-100-819	From serial no. Xxxxxx	95-100-822
7-47	1	O-ring (12.2*1.9 NBR 90)	95-100-353	From serial no. Xxxxxx	95-100-822
7-48	1	2022 Auto plug	95-100-820	From serial no. Xxxxxx	95-100-822
7-49	1	Pump head External thread	95-100-821	From serial no. Xxxxxx	95-100-822

	1	V3 Main valve kit A	95-100-433	Fits Go P30-40-50-55	
7-25	1	Total one way valve seat kit	95-100-189	Can be replaced w. 95-100-454 in combination w 95-100-578	95-100-433
7-26	1	SF03 Outlet one way valve kit;white	95-100-155	Can be replaced w. 95-100-454 in combination w 95-100-578	95-100-433
7-27	1	Outlet one way valve spring;Φ5.3*9	95-100-156	Can be replaced w. 95-100-454 in combination w 95-100-578	95-100-433