

Hose reel kit

Cord reel kit

Handle kit

Back case kit

Front case kit

Bearing kit

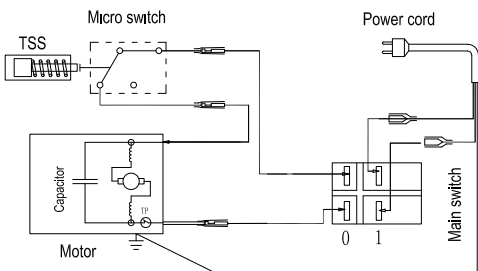
Main valve kit

Pump body kit

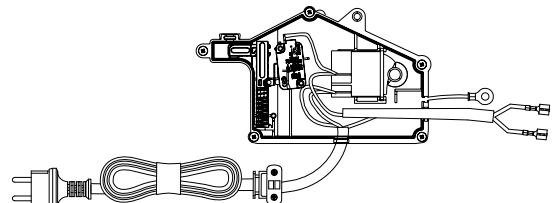
Piston guide kit

MP Kit

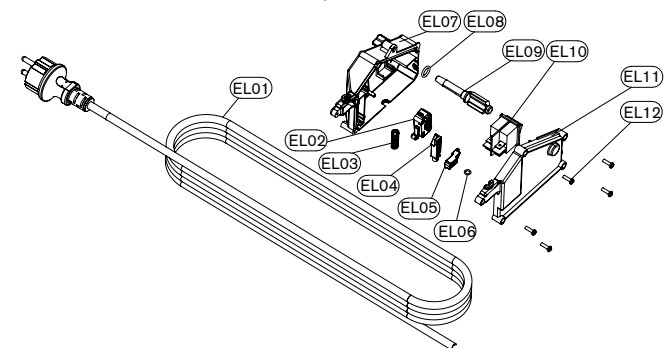
EL Kit



Circuit diagram



wiring in switch box



Rev.

2.15

Date: 2023.05.03

Note:



Evolution V4 P80

Number	Pcs	English name	AVA Part number	Anm	Kit Part number
1	1	Screw ST4. 8*16	95-100-294		95-100-888
2	1	Evolution Front_PanelT-AVA P80V4	95-100-655		95-100-888
3	1	Front Panel ID V4	95-100-581		95-100-888
4	1	Front Aluminium Tube	95-100-582		95-100-888
5	1	Evolution Front_Case-V4 screen printing	95-100-653		95-100-888
6	1	Front lance clip	95-100-584		95-100-888
7	1	Front accessory holder	95-100-585		95-100-888
8	1	AVA-switch knob	95-100-272		
9	1	Switch knob extension	95-100-586		
10	1	AVA Master Switch box kit	95-100-401		
11					
12	1	V4 Motor cover front	95-100-588		
13	1	capacity-50 uF	95-100-122		
14					
15					
16	1	V4 Pump head cover	95-100-589		
17	1	Cover for quick connector spring AVA Green	95-100-174		
18	4	hd-wind cover rubber	95-100-297		
19	1	V4 Motor cover back	95-100-590		
20					
21					
22	1	Internal high pressure hose	95-100-591		
23	1	U-pin for outlet connector	95-100-296		95-100-685
24	1	Brass swivel for hose reel	95-100-592	Short type	95-100-685
25	1	Reel holder Right	95-100-593		95-100-685
26	2	Hose Reel	95-100-594		95-100-685
27	1	Hose guide tube	95-100-595		95-100-685
28	1	AVA Steel reinforced hose 10m	95-100-624		95-100-685
29	1	AVA hose holder ball-1	95-100-285		95-100-685
30	1	AVA hose holder ball-2	95-100-284		95-100-685
31	5	Screw ST2. 9*12	95-100-218		95-100-685
32	1	Reel holder Left	95-100-596		95-100-685
33	1	Reel crank coplete	95-100-597		
34	1	C-clip	95-100-295	Replaced by 95-100-485	95-100-685
35	1	Hose reel brass quick connector for swivel	95-100-598		95-100-685
36	1	Hose reel lock knob	95-100-599		95-100-685
37	1	Cord reel knob	95-100-600		
38	1	Gun holder left	95-100-601		95-100-642
39	1	Cord reel outside cover	95-100-602		95-100-640
40	1	Gun holder right	95-100-603		95-100-642
41	1	Cord reel inside cover	95-100-604		95-100-640
42	1	Cord reel support	95-100-605		95-100-642
43	1	Back case	95-100-606		95-100-642
44	1	Wheel axle	95-100-607		95-100-642
45	1	Main wheel Evolution	95-100-667		95-100-642
46	2	Axle lock ring	95-100-609		95-100-642
47	2	Wheel cover	95-100-610		95-100-642
48	2	Wheel axle cover	95-100-611		95-100-642
612	1	Handle aluminium tube	95-100-612		
50	1	Aluminium tube cover	95-100-613		
51	1	Handle tray	95-100-614		95-100-641
52	1	Top handle	95-100-615		95-100-641
53	1	Top handle cover	95-100-616		95-100-641
54	1	M4,8x16 Screw	95-100-617		
55	1	Screw ST3*14	95-100-618		95-100-642
MP01	1	Induction motor 2800w	95-100-340		
MP02	1	Bearing 51109	95-100-261		
MP03.1	1	V4 P80 wobble plate 10,5°	95-100-114		95-100-420
MP03.2	1	Washer M6	95-100-260		95-100-420

MP03.3	3	Screw M6*20(8.8)	95-100-149		95-100-420
MP04	1	Bearing 51305	95-100-259		
MP05	3	Piston spring lock	95-100-206		95-100-414
MP06	4	V4 piston (length 56.4mm)	95-100-258		95-100-414
MP07	3	Piston return spring(ID)	95-100-145		95-100-414
MP08	1	O-ring (73*2 NBR 80)	95-100-262		
MP09	1	V4 piston guide	95-100-257		95-100-414
MP10	3	Oil sealing 12x20x5,5	95-100-196		95-100-414
MP12	4	Back up ring for water sealing	95-100-256		
MP13	4	Screw M8*25 (8.8)	95-100-255		95-100-414
MP14	4	Back up washer for water sealing	95-100-338		95-100-414
MP15	3	Water sealing (12*18*5.1)	95-100-193		95-100-415
MP16.1	8	One way valve kit(9.5mm S7)	95-100-620		95-100-415
MP16.2	4	Water in and outlet valve washer	95-100-252		95-100-415
MP17	1	V4 pump body	95-100-254		95-100-415
MP18	1	V4 pump body water sealing	95-100-248		95-100-416
MP19	1	V4 total valve seat kit	95-100-251	O-ring included	95-100-416
MP20	1	V4 total oneway valve kit	95-100-250	O-ring included	95-100-416
MP21	1	Total valve spring	95-100-249		95-100-416
MP22	1	V4 pump head	95-100-332		95-100-417
MP23	1	New auto s/s plug kit	95-100-247		95-100-417
MP24	1	O-ring (3.5*1.8 NBR 90)	95-100-166		95-100-417
MP25	1	Overflow washer plastic	95-100-165		95-100-417
MP26	1	Auto s/s spring	95-100-164		95-100-417
MP27	1	V4 overflow valve core	95-100-335		95-100-417
MP28	1	O-ring (8.5*2 NBR 90)	95-100-161		95-100-417
MP29	1	SF 04 plastic valve seat kit (2.1)	95-100-334		95-100-417
MP30	1	U-pin for pump outlet extension	95-100-184		95-100-417
MP31	1	V4 Outlet quick connector	95-100-621		
MP32	4	Screw M8*82(8,8)	95-100-333		95-100-417
MP33	1	Easy start valve kit	95-100-331	Complete valve	95-100-417
MP34	1	Easy start valve spring	95-100-330		95-100-417
MP35	1	V4 easy start valve seat	95-100-329		95-100-417
MP36	1	SF water inlet connector kit	95-100-328		95-100-417
EL01	1	Cord kit 3x1.5 EU (5.05M)	95-100-674		95-100-623
EL02	1	Micro switch w Roller	95-100-679		95-100-623
EL03	1	Slider spring	95-100-680		95-100-623
EL04	1	Secondary slider	95-100-681		95-100-623
EL05	1	Primary slider	95-100-682		95-100-623
EL06	1	O-ring (3.5*1.8 NBR 90)	95-100-166		95-100-623
EL07	1	Dual switch box upper case	95-100-683		95-100-623
EL08	1	O-ring (8*2 NBR 60)	95-100-216		95-100-623
EL09	1	WS-switch-box-shaft	95-100-215		95-100-623
EL10	1	ON/OFF switch (18A)	95-100-267		95-100-623
EL11	1	Dual switch box lower case	95-100-684		95-100-623
EL12	5	Screw ST2. 9*12	95-100-218		95-100-623

P80 Evolution Kits

	1	Switch box kit EU 3x1,5	95-100-623	Fits Evolution P60.70.80.90	
	1	AVA Switch box kit (old)	95-100-401	Alternative	
EL01	1	Cord kit 3x1.5 EU (5.05M)	95-100-674		95-100-623
EL02	1	Micro switch w Roller	95-100-679		95-100-623
EL03	1	Slider spring	95-100-680		95-100-623
EL04	1	Secondary slider	95-100-681		95-100-623
EL05	1	Primary slider	95-100-682		95-100-623
EL06	1	O-ring (3.5*1.8 NBR 90)	95-100-166		95-100-623
EL07	1	Dual switch box upper case	95-100-683		95-100-623
EL08	1	O-ring (8*2 NBR 60)	95-100-216		95-100-623
EL09	1	WS-switch-box-shaft	95-100-215		95-100-623
EL10	1	ON/OFF switch (18A)	95-100-267		95-100-623
EL11	1	Dual switch box lower case	95-100-684		95-100-623

EL12	5	Screw ST2. 9*12	95-100-218		95-100-623
------	---	-----------------	------------	--	------------

		1	SF04 Pump head kit	95-100-417	Fits Evolution P60.70.80	
MP22	1	1	V4 pump head	95-100-332		95-100-417
MP23	1	1	New auto s/s plug kit	95-100-247		95-100-417
MP24	1	1	O-ring (3.5*1.8 NBR 90)	95-100-166		95-100-417
MP25	1	1	Overflow washer plastic	95-100-165		95-100-417
MP26	1	1	Auto s/s spring	95-100-164		95-100-417
MP27	1	1	V4 overflow valve core	95-100-335		95-100-417
MP28	1	1	O-ring (8.5*2 NBR 90)	95-100-161		95-100-417
MP29	1	1	SF 04 plastic valve seat kit (2.1)	95-100-334		95-100-417
MP30	1	1	U-pin for pump outlet extension	95-100-184		95-100-417
MP32	4	4	Screw M8*82(8,8)	95-100-333		95-100-417
MP33	1	1	Easy start valve kit	95-100-331	Complete valve	95-100-417
MP34	1	1	Easy start valve spring	95-100-330		95-100-417
MP35	1	1	V4 easy start valve seat	95-100-329		95-100-417
MP36	1	1	SF water inlet connector kit	95-100-328		95-100-417

		1	SF04 main valve kit	95-100-416	Fits Evolution P60.70.80	
MP18	1	1	V4 pump body water sealing	95-100-248		95-100-416
MP19	1	1	V4 total valve seat kit	95-100-251	O-ring included	95-100-416
MP20	1	1	V4 total oneway valve kit	95-100-250	O-ring included	95-100-416
MP21	1	1	Total valve spring	95-100-249		95-100-416

		SF04 Pump piston kit		95-100-414	Fits Evolution P60.70.80	
MP05	3	3	Piston spring lock	95-100-206		95-100-414
MP06	4	4	V4 piston (length 56.4mm)	95-100-258		95-100-414
MP07	3	3	Piston return spring(ID)	95-100-145		95-100-414
MP09	1	1	V4 piston guide	95-100-257		95-100-414
MP10	3	3	Oil sealing 12x20x5,5	95-100-196		95-100-414
MP13	4	4	Screw M8*25 (8.8)	95-100-255		95-100-414
MP14	4	4	Back up washer for water sealing	95-100-338		95-100-414

		SF04 P80 Wobble plate 10,5° kit		95-100-420	Fits Master P80	
MP03.1	1	1	V4 P80 wobble plate 10,5°	95-100-114		95-100-420
MP03.2	1	1	Washer M6	95-100-260		95-100-420
MP03.3	3	3	Screw M6*20(8.8)	95-100-149		95-100-420

		872.122 SF04 Pump bearing kit		95-100-413	Fits Evolution P60.70.80	
MP02	1	1	Bearing 51109	95-100-261		95-100-413
MP04	1	1	Bearing 51305	95-100-259		95-100-413

		SF04 Pump body kit		95-100-415	Fits Evolution P60,70,80	
MP15	3	3	Water sealing (12*18*5.1)	95-100-193		95-100-415
MP16.1	8	8	One way valve kit(9.5mm S7)	95-100-620		95-100-415
MP16.2	4	4	Water in and outlet valve washer	95-100-252		95-100-415
MP17	1	1	V4 pump body	95-100-254		95-100-415

		Evolution P80 Front case kit		95-100-888	Fits Evolution P80	
1	1	1	Screw ST4. 8*16	95-100-294		95-100-888
2	1	1	Evolution Front_PanelT-AVA P80V4	95-100-655		95-100-888
3	1	1	Front Panel ID V4	95-100-581		95-100-888
4	1	1	Front Aluminium Tube	95-100-582		95-100-888
5	1	1	Evolution Front_Case-V4 screen printing	95-100-653		95-100-888
6	1	1	Front lance clip	95-100-584		95-100-888
7	1	1	Front accessory holder	95-100-585		95-100-888

		Evolution Hose reel kit		95-100-685	Fits Evolution	
		Evolution Hose reel kit w.o hose		95-100-702	Alternative w.o hose	
23	1	1	U-pin for outlet connector	95-100-296		95-100-685

24	1	Brass swivel for hose reel	95-100-592	Short type	95-100-685
25	1	Reel holder Right	95-100-593		95-100-685
26	2	Hose Reel	95-100-594		95-100-685
27	1	Hose guide tube	95-100-595		95-100-685
28	1	AVA steel hose(quick connector)	95-100-538		95-100-685
29	1	AVA hose holder ball-1	95-100-285		95-100-685
30	1	AVA hose holder ball-2	95-100-284		95-100-685
31	5	Screw ST2. 9*12	95-100-218		95-100-685
32	1	Reel holder Left	95-100-596		95-100-685
34	1	C-clip	95-100-295	Replaced by 95-100-485	95-100-685
35	1	Hose reel brass quick connector for swivel	95-100-598		95-100-685
36	1	Hose reel lock knob	95-100-599		95-100-685

Evolution Back case kit			95-100-642	Fits Evolution	
38	1	Gun holder left	95-100-601		95-100-642
40	1	Gun holder right	95-100-603		95-100-642
42	1	Cord reel support	95-100-605		95-100-642
43	1	Back case	95-100-606		95-100-642
44	1	Wheel axle	95-100-607		95-100-642
45	1	Main wheel Evolution	95-100-667		95-100-642
46	2	Axle lock ring	95-100-609		95-100-642
47	2	Wheel cover	95-100-610		95-100-642
48	2	Wheel axle cover	95-100-611		95-100-642
55	1	Screw ST3*14	95-100-618		95-100-642

Evolution Cord reel kit			95-100-640	Fits Evolution	
39	1	Cord reel outside cover	95-100-602		95-100-640
41	1	Cord reel inside cover	95-100-604		95-100-640

Evolution top handle kit			95-100-641	Fits Evolution	
51	1	Handle tray	95-100-614		95-100-641
52	1	Top handle	95-100-615		95-100-641
53	1	Top handle cover	95-100-616		95-100-641