



LOADALL | AGRICULTURAL RANGE

532-60/538-60/532-70/538-70/542-70/536-95/560-80

Power rating: 109hp – 173hp | Lift capacity: 3,200kg – 6,000kg | Lift height: 6.2m – 9.5m





AGRI



AGRISUPER



AGRIXTRA



AGRIPRO

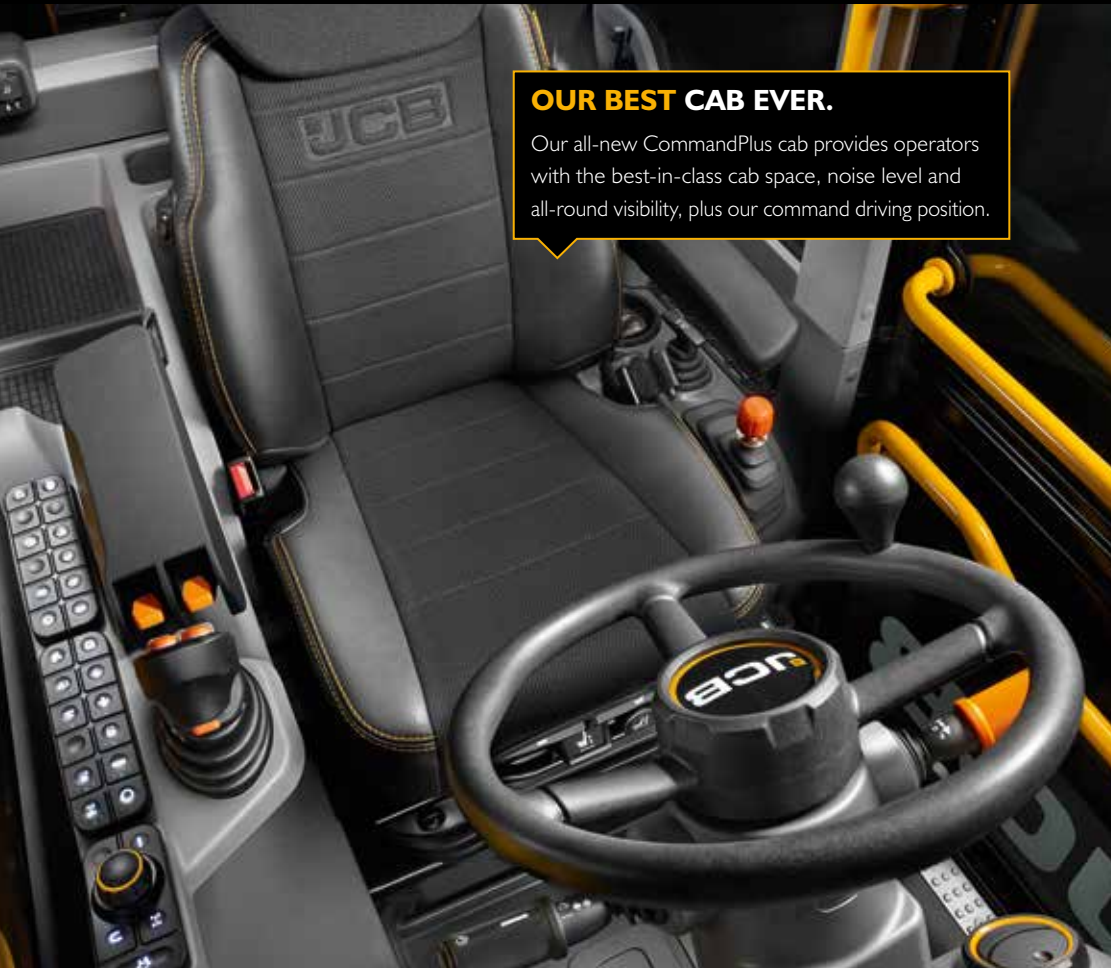
THE WORLD'S NO.1 AGRICULTURAL TELESCOPIC HANDLER.

Our Stage V Series III Loadalls are the telescopic handler of choice for agriculture. Choose between the 109hp (81kW) AGRI, the 130hp (97kW) AGRISUPER, the 150hp (112kW) AGRIXTRA or the high performance 173hp (129kW) AGRIPRO. All feature our best cab ever, while the SUPER, XTRA and PRO models are available with our DualTech Variable Transmission.



OUR BEST CAB EVER.

Our all-new CommandPlus cab provides operators with the best-in-class cab space, noise level and all-round visibility, plus our command driving position.



OUR BEST TRANSMISSIONS.

Our range of transmission options are tailored to your specific agricultural requirements, ranging from TorqueLock, PowerShift, AutoShift and the award winning DualTech Variable Transmission.

OUR BEST ENGINES.

Our 4.8-litre DieselMAX engines meet the latest EU Stage V regulations with ultra-low emissions, auto-stop technology, low fuel consumption and next generation particulate control.



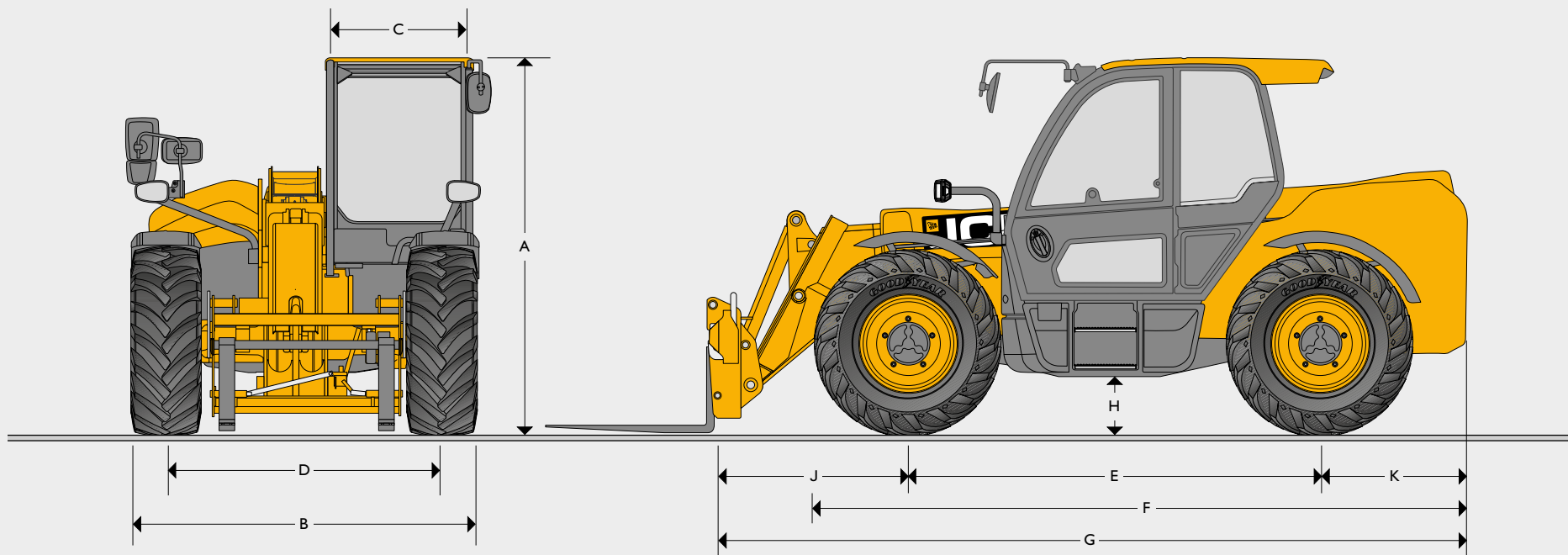
OUR BEST HYDRAULICS.

Our regenerative hydraulics system, auto bucket rattle, auxiliary venting, boom end damping and auto SmoothRide System all form part of the JCB Smart Hydraulics package.

OUR BEST SAFETY FEATURES.

Our patented Adaptive Load Control System allows the operator to drive seamlessly without hindering productivity and ensuring stability.

STATIC DIMENSIONS



STATIC DIMENSIONS

Machine model		532-60	538-60	532-70	538-70	542-70	542-70 PRO	536-95	560-80		
A Overall height	m	2.44	2.51	2.51	2.51	2.51	2.54	2.51	2.63	2.69	
B Overall width (over tyres)*	m	2.23	2.34	2.34	2.34	2.34	2.47	2.34	2.55	2.48	
C Inside width of cab	m	0.97	0.97	0.97	0.97	0.97	0.97	0.97	0.97	0.97	
D Front track	m	1.84	1.84	1.84	1.84	1.84	1.90	1.84	1.92	1.92	
E Wheelbase	m	2.75	2.75	2.75	2.75	2.75	2.72	2.75	2.75	2.75	
F Overall length to front tyres	m	3.95	4.03	4.03	4.38	4.38	4.40	4.40	4.49	4.55	
G Overall length to front carriage	m	4.64	4.64	4.64	5.07	5.07	5.07	5.02	5.42	5.42	
H Ground clearance	m	0.30	0.37	0.37	0.37	0.37	0.40	0.37	0.37	0.43	
J Front wheel centre to carriage	m	1.24	1.24	1.24	1.32	1.32	1.32	1.24	1.57	1.57	
K Rear wheel centre to rear face	m	0.65	0.65	0.65	1.00	1.00	1.04	1.03	1.01	1.01	
Turn radius - over tyres	m	3.7	3.7	3.7	3.7	3.7	4.4	3.7	4.1	4.1	
Carriage rollback angle -for shovel in carry position	degrees	42.6	42.6	42.6	42.6	42.6	42.6	41	43	43	
Carriage dump angle - for shovel at full height	degrees	42.5	42.5	42.5	37.5	37.5	37.5	24	43.5	43.5	
Weight (Powershift)	kg	7340	7520	7560	7600	8300	8300	N/A	8760	11360	11610
Weight (DualTech VT)	kg	7740	7920	7960	8370	8520	8520	8840	8820	11540	11790
Tyres		380/75R20	460/70R24	460/70R24	460/70R24	460/70R24	460/70R24	500/70R24	460/70R24	500/70R24	480/80R26

Machine shown with roof mounted air conditioning fitted.

*Dependant upon tyre specified.

OPTIONS	AGRI	AGRI SUPER	AGRI XTRA	AGRI PRO
Drivetrain				
109hp / 81kW	●	–	–	–
130hp / 97kW	–	●	–	–
150hp / 112kW	–	–	●	–
173hp / 129kW	–	–	–	●
Auto reversing fan	●	●	●	●
40kph Powershift (4-speed), (incorporating TorqueLock in 4th gear)	●	–	–	–
40kph Powershift (4-speed), (33/37kph for 560-80 (tyre dependant))	–	○	–	–
40kph Autoshift (6-speed), (incorporating TorqueLock in 5th and 6th gear)	–	○	○	–
40kph DualTech Variable Transmission, (combined Hydrostatic and Mechanical Drive with Flexi Mode)	–	○	○	–
50kph DualTech Variable Transmission, (combined Hydrostatic and Mechanical Drive with Flexi Mode)	–	–	–	●
Electrical 2/4WD disconnect	●	●	●	●
Limited Slip Differential (LSD) in front axle	○	○	●	●
Smart Hydraulics				
Regenerative hydraulics for lower and retract (536-95 lower only)	●	●	●	●
End damping for lift and retract (536-95 lift only)	●	●	●	●
Quick auxiliary venting – internal and external	●	●	●	●
Auto - Bucket rattle system	●	●	●	●
Auto – Smooth Ride System	●	●	●	●
High flow - Double acting – auxiliary system	○	○	○	○
Double acting – Single line - Front auxiliary	●	●	●	●
Double acting – Single line - Rear auxiliary	●	●	●	●
Double acting – Twin line - Front auxiliaries	○	○	○	○
Double acting – Twin line - Rear auxiliaries (not available on 6m models)	○	○	○	○
Electro-Hydraulic pin locking	○	○	○	○
Sway: Electro-Hydraulically controlled front axle to chassis levelling system (542-70 & 536-95 (6 Speed))	–	○	○	–
Cab				
Seat mounted control pod	●	●	●	●
Mechanical suspension seat	○	–	–	–
Air suspension seat	○	○	○	–
Heated air suspension seat	○	○	○	–
Half leather, heated and vented air suspension seat	–	○	○	●
Air conditioning	○	○	●	●
Auto temperature climate control, air conditioning	○	○	○	○
Heated screen – rear	●	●	●	●
Heated screen – front	○	○	○	○
External screen guard – front and roof	○	○	○	○
Lighting				
Halogen worklights – 2x front cab, 2x rear cab, 2x boom, 1x hitch light & interior light	●	●	–	–
LED worklights – 2x front cab, 2x rear cab, 2x boom, 1x hitch light & interior light	○	○	●	●
360° LED worklight package – additional 2x front cab & 2x rear chassis	–	○	●	●
LED road light package – front and rear road lights number plate light	○	○	○	○
Braking				
Twin line hydraulic trailer brakes* with 7 pin electrics & E.B.S socket	●	●	●	●
Twin line air trailer brakes* with 7 pin electrics & A.B.S socket	–	○	○	○
Twin line air trailer brakes* & single line hydraulic with 7 pin electrics & A.B.S socket	–	○	○	○
Other				
Mechanical tow hitch*	●	●	●	●
Hydraulic pick up tow hitch*	○	○	○	○
Ladder mounted tow hitch*	○	○	○	○
Boom ingress protection kit (7 & 8m only)	○	○	●	●
Remote centralised rear grease points (7 & 8m only)	○	○	●	●
Transmission belly guard kit (std with DTVT)	○	○	○	●

Standard ● Optional ○ Not applicable –

*Complies as a European type approved tractor. (Some options are territory dependant).

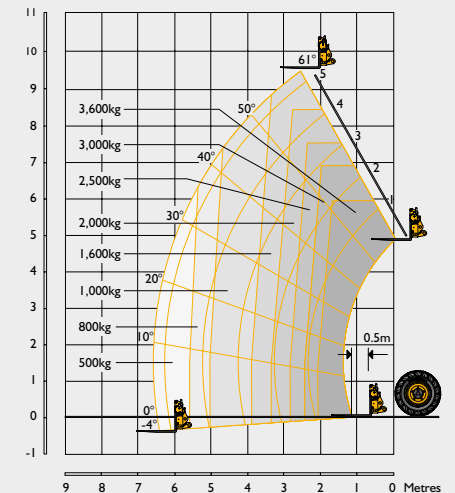
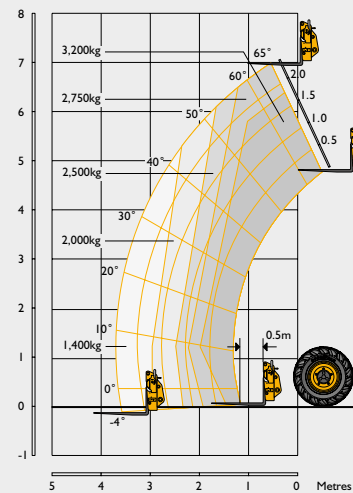
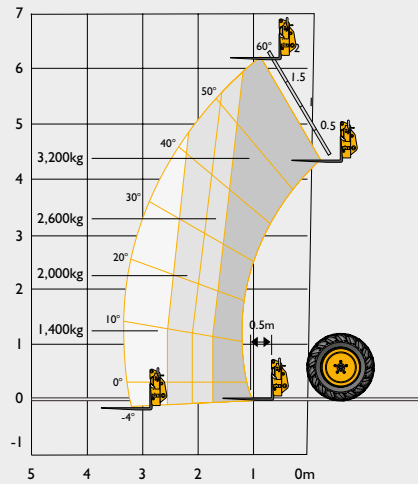
LIFT PERFORMANCE

Machine model (Powershift)

532-60

532-70

536-95



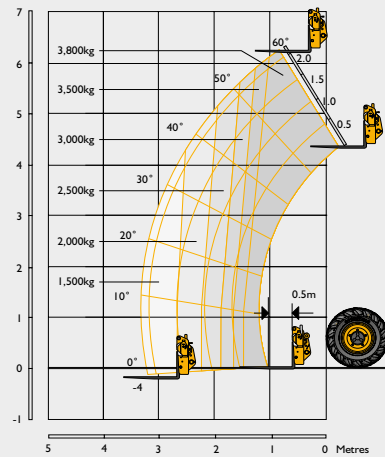
Lift capacity - maximum	kg	3200	3200	3600
Lift capacity to full height	kg	3200	2750	1600
Lift capacity at full reach	kg	1400	1400	500
Lift height	m	6.22	7	9.49
Forward reach at maximum lift height	m	0.87	0.48	2.43
Maximum forward reach	m	3.33	3.72	6.55
Reach with 1 tonne load	m	3.33	3.72	4.98
Placing height	m	5.42	6.3	8.78
Tear out force	daN	4750	3980	4470

Complies with stability test: ISO 22915-14:2010.

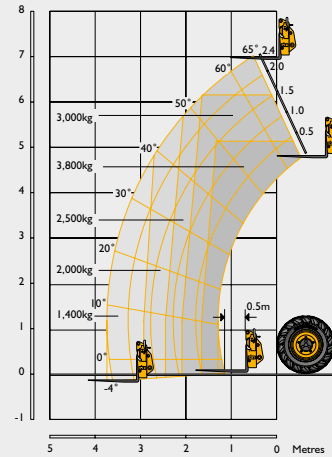
LIFT PERFORMANCE

Machine model (Powershift)

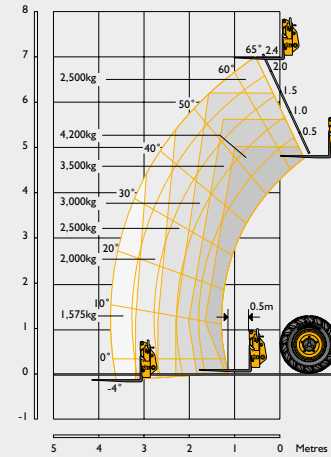
538-60



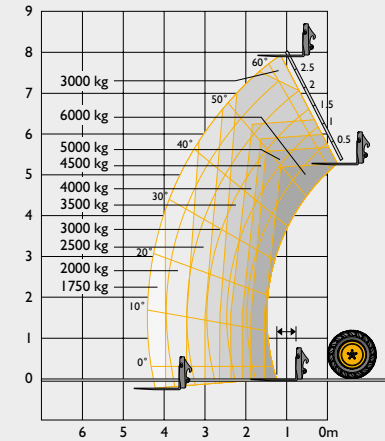
538-70



542-70



560-80



Lift capacity - maximum	kg	3800	3800	4200	6000
Lift capacity to full height	kg	3800	2500	2500	3000
Lift capacity at full reach	kg	1500	1400	1575	1750
Lift height	m	6.23	7.01	7.01	7.9
Forward reach at maximum lift height	m	0.87	0.48	0.48	0.92
Maximum forward reach	m	3.34	3.73	3.76	4.48
Reach with 1 tonne load	m	3.34	3.73	3.76	4.48
Placing height	m	5.42	6.3	6.3	6.64
Tear out force	daN	4570	4400	4400	6650

Complies with stability test: ISO 22915-14:2010.

LIFT PERFORMANCE

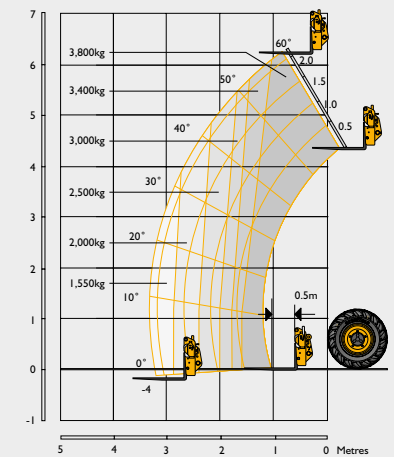
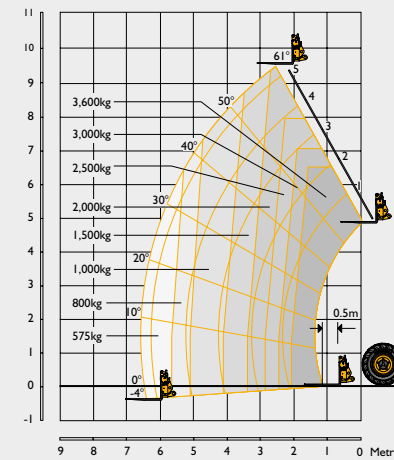
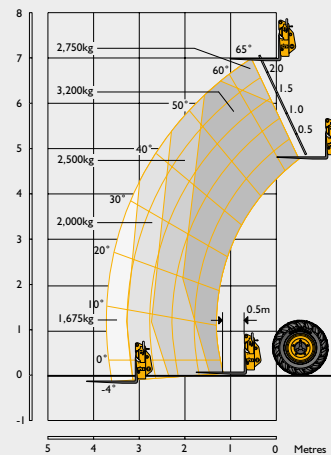
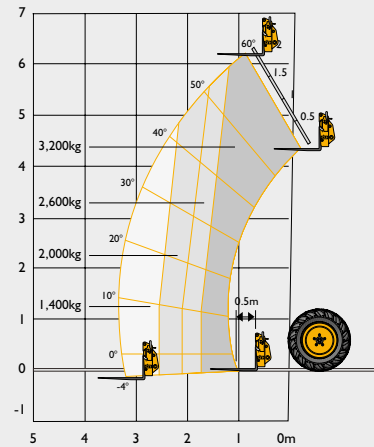
Machine model (DualTech VT)

532-60

532-70

536-95

538-60



Lift capacity - maximum	kg	3200	3200	3600	3800
Lift capacity to full height	kg	3200	2750	2000	3800
Lift capacity at full reach	kg	1400	1675	575	1550
Lift height	m	6.22	7	9.49	6.23
Forward reach at maximum lift height	m	0.87	0.48	2.43	0.87
Maximum forward reach	m	3.33	3.72	6.55	3.34
Reach with 1 tonne load	m	3.33	3.72	5.09	3.34
Placing height	m	5.42	6.3	8.78	5.42
Tear out force	daN	4570	3980	4470	4570

Complies with stability test: ISO 22915-14:2010.

LIFT PERFORMANCE

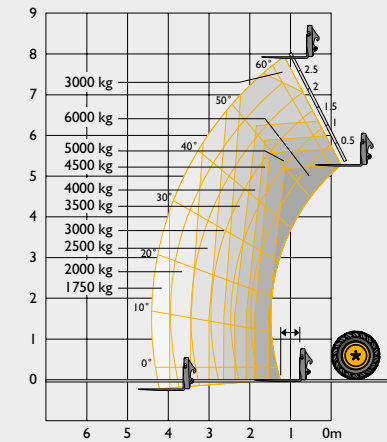
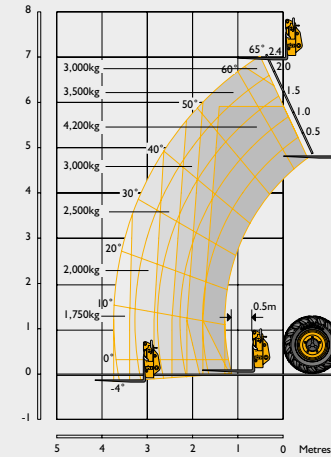
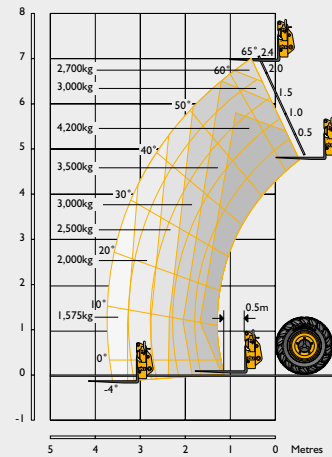
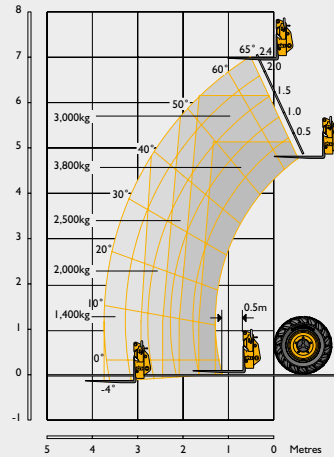
Machine model (DualTech VT)

538-70

542-70

542-70 PRO

560-80



Lift capacity - maximum	kg	3800	4200	4200	6000
Lift capacity to full height	kg	2500	2750	3000	3000
Lift capacity at full reach	kg	1400	1675	1750	1750
Lift height	m	7.01	7.01	7.04	7.9
Forward reach at maximum lift height	m	0.48	0.48	0.48	0.92
Maximum forward reach	m	3.73	3.73	3.71	4.48
Reach with 1 tonne load	m	3.73	3.73	3.71	4.48
Placing height	m	6.3	6.3	6.3	6.64
Tear out force	daN	4400	4400	4400	6650

Complies with stability test: ISO 22915-14:2010.

ENGINE					
Model		AGRI	AGRI SUPER	AGRI XTRA	AGRI PRO
Manufacturer		JCB			
Model		DieselMAX			
Emissions level		Euro Stage V			
After treatment		DOC, SCR, DPF			
Aspiration		Turbocharged cooled			
Power rating					
Power @ 2200rpm	hp (kW)	109 (81)	130 (97)	150 (112)	173 (129)
Torque rating					
Torque @ 1500rpm	Nm	516	550	600	690
Specification					
Displacement	ltr	4.8			
No. of cylinders		4			
Bore size	mm	106			
Stroke	mm	135			

HYDRAULICS									
Model		532-60	538-60	532-70	538-70	542-70	542-70 PRO	536-95	560-80
Operating system pressure	bar	240	260	250	260	260	260	240	260
Main hydraulics	l/min	140	140	140	140	140	160	140	160
Pump type		Variable Displacement							
Hydraulic cycle times									
Lift	seconds	4.2	6.1	4.5	5.2	5.2	5.2	6	7.4
Lower	seconds	4.7	6.8	6.6	5.7	5.7	5.7	6.9	7.9
Extend	seconds	6.1	6	6.7	6.6	6.6	6.6	9.1	8.1
Retract	seconds	4.4	4.6	5	5	5	5	11.3	7.1
Bucket dump	seconds	2.3	2.7	2.7	2.8	2.8	2.8	1.9	2.6
Bucket crowd	seconds	2.1	2.1	2.3	2.2	2.2	2.2	2.3	2.8

*Cycle times may vary on machine specification.

SERVICE CAPACITIES		
Fuel tank	litres	169
DEF tank	litres	20.8
Screenwash tank	litres	6.2
Hydraulic tank	litres	113
Coolant	litres	28
Engine oil sump	litres	15

ELECTRICAL SYSTEM		
System voltage	Volt	12
Alternator	Amp/hour	150
Battery capacity	Amp/hour	180

NOISE AND VIBRATION				
		Level	Uncertainty	Measurement conditions
A-weighted emission sound pressure level at Operator's position (LpA)	dB(A)	69	+/- 1	Determined in accordance with the test method and calculations defined in EN 12053:2001
Exterior sound (Stationary)	dB(A)	73	+/- 1	Determined in accordance with the test method defined in
Exterior sound (Moving)	dB(A)	84	+/- 1	2015/96 (Annex III)
Whole body vibration	m/s ²	0.48	50%	Determined in accordance with the test method defined in ISO 2631-1:1997. (Machine operating duty: Loader work (stone)) and accordance with EN 12096: 1997.
Hand-arm vibration	m/s ²	<2.5	N/A	Determined in accordance with the test method defined in ISO 5349-2: 2001

STANDARD MACHINE FEATURES		
Transmission	TorqueLock 4	<p>JCB Powershift transmission incorporating torque converter, bevel box and a 4 speed Powershift gearbox with TorqueLock in 4th gear in one resiliently mounted unit.</p> <p>Operating modes: Manual gear shift incorporated onto the single lever joystick with 4 forward and 4 reverse Powershift gears.</p> <p>Travel speed: 40kph</p> <p>Electrical 2/4 wheel drive disconnect.</p> <p>Switchable transmission disconnect on brake pedal.</p>
	Powershift 4	<p>JCB Powershift transmission incorporating torque converter, bevel box and a 4 speed Powershift gearbox in one resiliently mounted unit.</p> <p>Operating modes: Manual gear shift incorporated onto the single lever joystick with 4 forward and 4 reverse Powershift gears.</p> <p>Travel speed: 40kph (33/37kph for 560-80 (tyre dependant)).</p> <p>Electrical 2/4 wheel drive disconnect.</p> <p>Switchable transmission disconnect on brake pedal.</p>
	Autoshift 6	<p>JCB Autoshift transmission incorporating torque converter, bevel box and 6-speed powershift gearbox with TorqueLock in 5th and 6th gear in one resiliently mounted unit.</p> <p>Operating modes: Manual and Auto gear shifts incorporated onto the single lever joystick with 6 forward and 4 reverse Powershift gears.</p> <p>Travel speed 40kph.</p> <p>Electrical 2/4 wheel drive disconnect.</p> <p>Auto selection between 4th and 6th gear in Auto mode.</p> <p>Switchable transmission disconnect on brake pedal.</p>
	DualTech VT	<p>JCB DualTech Variable Transmission incorporating bevel box, combining hydrostatic and 3 speed direct drive mechanical Powershift gearbox with Flexi mode in one resiliently mounted unit.</p> <p>Operating modes: Flexi mode, Manual and Auto Drive (D), gear shift incorporated onto the single lever joystick with 1 forward and 1 reverse hydrostatic and 3 forward Powershift gears.</p> <p>Travel speed 40kph.</p> <p>Auto 2/4 wheel drive disconnect.</p> <p>Auto selection when in Drive (D) mode.</p> <p>Permanent inching function on the brakes pedal.</p> <p>JCB High Speed DualTech Variable Transmission incorporating bevel box, combining hydrostatic and 3 speed direct drive mechanical Powershift gearbox with Flexi mode in one resiliently mounted unit.</p> <p>Operating modes: Flexi mode, Manual and Auto Drive (D), gear shift incorporated onto the single lever joystick with 1 forward and 1 reverse hydrostatic and 3 forward Powershift gears.</p> <p>Travel speed 50kph.</p> <p>Auto 2/4 wheel drive disconnect.</p> <p>Auto selection when in Drive (D) mode.</p> <p>Permanent inching function on the brakes pedal.</p>
Axles	AGRI, AGRI SUPER	Front and rear drive: JCB epicyclic hub reduction drive/steer axles with Max-torque proportioning differentials. (LSD option).
	AGRI XTRA, AGRI PRO	Front and rear drive: JCB epicyclic hub reduction drive/steer axles with Front: Limited Slip Differential (LSD) (Maxtrac option) and Rear: Max-Trac torque proportioning differential.

Brakes	AGRI	<p>Service brakes: Servo assisted, self-adjusting, oil-immersed in-board high back-off multi-disc type on front axle.</p> <p>Parking brake: Cable mechanical hand brake.</p> <p>Trailer brakes: Twin line hydraulic trailer brakes and Electronically controlled Braking System (EBS) - (Territory dependent).</p>
	AGRI SUPER, AGRI XTRA	<p>Service brakes: Hydraulically powered, self-adjusting, oil-immersed in-board high back-off multi-disc type on front axle.</p> <p>Parking brake: SAHR (Spring Applied Hydraulic Release) park brake.</p> <p>Trailer brakes: Twin line hydraulic trailer brakes and Electronically controlled Braking System (EBS). Twin line pneumatic trailer brakes and Antilock Braking System (ABS).</p>
	AGRI PRO	<p>Service brakes: Dual circuit braking to front and rear axle. Hydraulically powered, self-adjusting, oil-immersed in-board high back-off multi-disc type.</p> <p>Parking brake: SAHR (Spring Applied Hydraulic Release) park brake.</p> <p>Trailer brakes: Twin line hydraulic trailer brakes and Electronically controlled Braking System (EBS). Twin line pneumatic trailer brakes and Anti-lock Braking System (ABS).</p>
Steering	ALL MODELS	3x steering modes: two wheel steer, four wheel steer, crab steer.
	AGRI, AGRI SUPER, AGRI XTRA	Hydrostatic power steering with power track rods on both axles.
	AGRI PRO	Hydrostatic power steering with steer rams on both axles.

STANDARD MACHINE FEATURES (CONTINUED)

Hydraulic controls	Single lever servo joystick with proportional service control and adjustable constant flow facility. Incorporating forward/neutral/reverse drive direction selection.
Cab	<p>Quiet, safe and comfortable cab conforms to ROPS ISO 3471 and FOPS ISO 3449.</p> <p>Tinted glass all round with laminated single piece curved front and roof screen.</p> <p>Roof bars, front, rear and roof screen wash/wipe and heater/screen demister.</p> <p>Rubber spring, polymer damper - lateral isolation cab mounts.</p> <p>Opening rear window. Split stable door with glass lower and upper.</p> <p>Single integrated front and roof screen blind.</p> <p>Audio-visual warning system for: coolant temperature, water in fuel, engine oil pressure, air cleaner, battery charge, transmission oil temperature and pressure.</p> <p>Hourmeter and road speed indicator.</p> <p>Engine temperature, diesel gauge, AdBlue/DEF gauge.</p> <p>Adjustable steer column with stalk bar forward reverse drive selection shuttle.</p> <p>Automatic eye level audio-visual Longitudinal Load Moment Indicator (LLMI) warning system receiving a signal from a load sensor on the rear axle. This system continuously monitors the machine's forward stability and leaves the operator in control at all times.</p>

HOMOLOGATION

AGRI, AGRI SUPER, AGRI XTRA	Compiles as a European type approved vehicle as a T1a tractor.
AGRI PRO	Compiles as a European type approved vehicle as a T1b tractor.



ONE COMPANY, OVER 300 MACHINES.

Your nearest JCB dealer

LOADALL | AGRICULTURAL RANGE

532-60/538-60/532-70/538-70/542-70/536-95/560-80

Power rating: 109hp – 173hp Lift capacity: 3,200kg – 6,000kg Lift height: 6.2m – 9.5m

JCB Agriculture, Rocester, Staffordshire, United Kingdom ST14 5JP.

Tel: +44 (0)1889 590312 Email: salesinfo@jcb.com

Download the very latest information on this product range at: www.jcb.com

©2022 JCB Sales. All rights reserved. No part of this publication may be reproduced, stored in a retrieval system, or transmitted in any form or by any other means, electronic, mechanical, photocopying or otherwise, without prior permission from JCB Sales. All references in this publication to operating weights, sizes, capacities and other performance measurements are provided for guidance only and may vary dependant upon the exact specification of machine. They should not therefore be relied upon in relation to suitability for a particular application. Guidance and advice should always be sought from your JCB Dealer. JCB reserves the right to change specifications without notice. Illustrations and specifications shown may include optional equipment and accessories. The JCB logo is a registered trademark of J C Bamford Excavators Ltd.

