



## **FASTRAC** | 3000 SERIES XTRA

Max power: 195hp (145kW) – 230hp (172kW) Lift capacity: 8 tonnes





**Ultimate Versatility.  
On the road and in the field.**

## 3000 SERIES XTRA FASTRAC



Since we started production in 1991, the JCB Fastrac has continually evolved to meet new market demands, whilst remaining true to its original principles. First, full front and rear suspension, which the Fastrac is still the only draught tractor to offer, giving improved comfort and traction with no need to add dead weight. Second, external disc brakes that dramatically outperform oil-immersed systems on conventional tractors.

And third, full chassis construction which means, unlike on a conventional tractor, the engine and transmission are not stressed, load-bearing components. Added all together, these machines give you superb performance and manoeuvrability in the field, high travel speeds, responsive steering and controlled stopping on the road, plus consummate operator comfort. One of the most productive farming solutions available today.



**A luxurious and relaxing driving experience.**

**01 Mid-mounted cab**

avoids jolting the driver, better forward visibility

**02 Self-levelling rear suspension**

maintains constant ride height

**03 All-round suspension with integrated chassis**

irons out bumps, smoother ride

**04 Anti-roll bars**

improved handling, safety and stability

**05 Full width cab**

spacious with lots of storage

**06 Air suspension seat and full-sized passenger seat**

ultimate comfort

**07 High performance air conditioning**

cool and comfortable

**08 Large glass area and an advanced Xenon lighting package**

incredible visibility, into the night

**09 Ergonomic, intuitive control layout**

easy to use

**10 Control panel and full-colour touchscreen**

conveniently close to hand

**11 Headland Turn Assist**

easy to set up, effortless control of tractor functions

**12 Xtra Drive**

simply use the brake pedal to start and stop

**13 Hill hold function with engine load auto brake release**

effortless driving

**14 Low level in-cab noise**

comfortable environment

**When the hours are as long and hard as they are in agriculture, comfort is a necessity, not a luxury. Behind the wheel, you need to feel fresh, relaxed and as stress-free as possible if you are to stay productive and efficient during the busiest seasons.**

**This means investing in comfortable environments, a smoother ride that minimises stressful jolts, a healthy atmosphere with reduced noise and vibration, and an intuitive layout that makes controlling the immense potential of the 3000 Series second nature.**

# The ultimate smooth ride

Because a comfortable operator  
is a productive operator

**The JCB Fastrac was the world's first draught tractor with full front and rear suspension. Today, JCB's unique, ride-smoothing suspension continues to offer the ultimate in operator comfort.**

**In the field, the triple-link suspension with integrated chassis irons out bumps and jolts, as well as reducing compaction and increasing traction, giving the operator the smoothest possible ride. On the road, the driver has more control and comfort for enhanced safety at high speeds.**

**Ride comfort is enhanced even further by the positioning of the cab, which results in less movement for the smoothest ride**

**It is no wonder that 3000 Series operators remain relaxed and productive throughout even the longest working days.**

## The 3000 Series advantage

- Unsurpassed operator ride comfort
- Smoother ride with fewer bumps and jolts
- Reduced fatigue, more productive operators
- Less compaction, more traction in field
- Safer, more controlled performance on the road
- Ideal working temperature and conditions



All 3000 Series Fastracs feature a unique system which ensures the machine always has optimum suspension travel. This is the case even at high speeds, with any additional amount of weight placed on the machine, when spraying with a demount sprayer or when cultivating with very little load. You still get the same incredibly smooth, comfortable ride.

At the front, a triple-rate suspension system comprised of three different spring sets, gives superb handling for driver confidence and, again, enhanced comfort.

### 3000 Series machines save you money

All-round suspension results in a reduction in tyre wear and more efficient application of power, giving you lower ownership costs... and that's got to be good for business.

### All-round suspension also offers serious performance benefits

For more information please see full front and rear suspension.



### Revolutionary cab positioning

Cabs positioned over rear wheels are susceptible to jolting so the driver feels every bump. Cabs are positioned towards the middle of the machine to give a smoother ride.

Fastrac cabs are positioned towards the middle of the machine to give a smoother ride.



## Comfort and safety

No one pays more attention to operator comfort and safety



### Seating

Air-suspension seat is incredibly comfortable

Full-size passenger seat ensures colleague comfort, unique to JCB



### Luxuries

MP3 player connection

Mobile phone charge point

Additional options include:

- heated driver's seat
- in-cab fridge



### Mirrors

Large wide-view mirrors

Additional options include:

- twin electric mirrors
- twin electric heated mirrors

**Good design is about more than good looks. It's about ensuring every single component performs to the best of its ability. The Fastrac full suspension, integrated chassis and cab positioning are prime examples of how JCB pays attention to the fine detail to give that extra level of comfort.**

**The 3000 Series cab features an incredibly comfortable air-suspension seat, lots of legroom and space for storing equipment and essentials. Additional luxuries include MP3 player connection and mobile phone charge point.**

**The cab is also designed to provide astonishing visibility, enhanced by a new fender design that gives greater wheel coverage for reduced spray. The advanced Xenon lighting package replicates daylight and allows all lights to be used simultaneously, prolonging the working day with little risk of driver fatigue.**

### The 3000 Series advantage

- Ultimate operator comfort
- Low level in-cab noise
- Plenty of room to store tools and equipment
- Storage for personal items
- Additional luxuries to make life easier
- Envious visibility for safety and control
- Potential to extend working into the night





# Ergonomic, easy-to-use controls

You're in instant charge of your machine and environment

**Building upon the productivity-enhancing benefits of operator comfort is an ergonomic cab layout. This also helps to ensure the driver experience is as relaxed as possible whilst giving complete command of the 3000 Series' huge performance potential.**

**Physically, the cab has been designed to reduce repetitive reaching, twisting and stretching which can take their toll and notch up fatigue levels during long working hours. So all the controls are grouped conveniently, close to hand.**

**Mental stress is reduced by the intuitive layout, with controls that are extremely easy to get to grips with and much of the machine set up and status controlled from the full-colour, seat-mounted touchscreen. Plus, key operations such as gearshifts are automated with the optional field performance package. All this means operation soon becomes like second nature, leaving the operator free to concentrate on the external environment and the job in hand.**



## Simple-to-use air conditioning panel

Intelligent ducting improves airflow and de-misting performance, while better heat isolation between cab and bonnet results in a cooler environment with less air con effort.

## Simple touchscreen puts you in control, with no need to read a 1000-page manual

The full-colour touchscreen features a simple, extremely easy to use layout.

The touchscreen also puts you in control of transmission modes (see P-TRONIC transmission) and Headland Turn Assist; for more information please see overleaf.



## Touchscreen control for machine status

- PTOs when running and PTO RPM
- PTO gear selected
- Active spool valves
- Headland Turn Assist sequence and next function to be activated
- Difflocks and 4WD (flashes if inactive)
- Linkage control and draught control movement
- Selected direction



## Touchscreen control for machine setup

- PTO cut outs front/rear
- Difflock cut-outs
- Display setup
- Area cut-outs
- Programmable joystick buttons set up
- Spool valve time and flow set up
- Headland Turn Assist set up menu
- Worklight set up menu
- Service access
- GPS integration

## Ergonomic and intuitive control layout

- 01 Seat-mounted control panel keeps all operations conveniently close to hand
- 02 Controls are grouped logically for ease of access, not spread out around the cab
- 03 Joystick transmission control features buttons programmable via touchscreen
- 04 Dashboard gives excellent visibility and shows vital machine functions:
  - wheelslip
  - area meter
  - fuel
  - speed
  - engine rpm
- 05 Optional auxiliary audio connection



# Innovation in action

## Headland Turn Assist

**JCB Headland Turn Assist has been developed to save valuable time by making it easier for the operator to control tractor and implement along the edge of the field. At the press of one button, headland manoeuvres are efficiently handled leaving the driver free to focus on the in-field task.**



Headland Turn Assist is accessible via the touchscreen and is easily programmable while stationary, so even less skilled operators can use it. The system offers the following:

- Ability to program a sequence of up to 15 tractor operations to perform at the touch of a single button
- Ability to store up to 5 of the above sequences for different operations
- Single-button activation with a button on the joystick within easy reach
- Simple selection of functions: just press the function required on the touchscreen menu; no confusion with trying to record a number of tasks
- Ability to insert, modify or delete functions, even during operation, for maximum flexibility
- Ability to link functions together with a timing feature or to step through the process with a single button press
- Option to pause, restart and skip through sequence if necessary
- Part of the field performance package – also includes radar for more accurate speed measurements





**Incredible productivity**  
**A serious performer in every environment**

**01 AGCO Power Stage IV/Tier 4 Final 7.4-litre engine\***

fuel efficiency, reliability, low service intervals, low noise

**02 Common rail fuel injection**

power when you need it, fuel efficiency

**03 3000 Series P-TRONIC transmission**

optimum performance on road and in field

**04 Class-leading hydraulic flows**

faster cycle times

**05 Large external disc brakes**

excellent cooling, fade-free braking, simple service access

**06 All-round suspension**

more traction, better power transmission to the ground, no power hop

**07 High capacity Bosch Hitchtronic rear linkage**

lifts the largest implements with ease

**08 New chassis design**

minimises driveline stresses, increases manoeuvrability

**09 Perfect weight distribution**

better traction, better application of power, reduced tyre wear

**10 ABS with proportional brake control**

smooth, controlled stopping

**11 JCB front and rear axles**

handle more torque

**12 Dynamic axle mounting system**

isolates implements from jolts, prolongs implement life

**13 Mechanical steering system with power assistance and GPS autosteer preparation**

responsive, fail-safe steering with GPS in-field to ensure every inch of soil is used

**14 Traction Assist**

greater grip and stability on the road

**15 Efficient Transport model**

runs at reduced revs at high road speeds, saving fuel

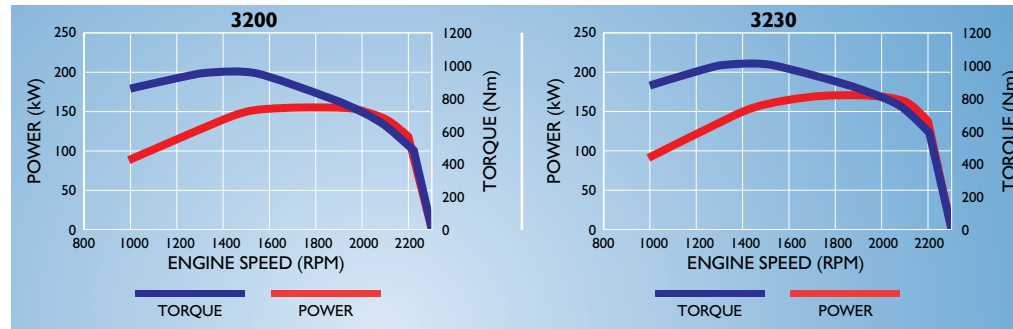
*\*Also available in Tier 2 variant for non-legislated territories*

**The 3000 Series is a serious performer in the field. Perfect weight distribution, full suspension and high performance tyre options provide the optimum traction that's hard to get in a conventional tractor. Plus, these tractors are reliable, durable, powerful and fuel efficient.**

**But productivity is as much about road travel as it is about in-field performance. And with up to 80kph travel and the ease of handling of an automatic car, you can get where you need to be faster, saving valuable time.**

# Power and torque

These tractors give you the extra punch when you need it



The 3000 Series features a Sisu 7.4-litre, 6-cylinder, Stage IV/Tier 4 Final\* compliant engine that operates at low revs for: reduced fuel consumption and maximum returns; low noise levels; and no compromise on power and torque, so you can overcome even the most challenging obstacles with no break in productivity.

The result is a machine that is kind to the environment and to your wallet, supplying exactly the right level of power to keep running costs low for enhanced profitability. It also increases your output, with the ability to power even the largest implements and perform in the toughest conditions. Put simply, the 3000 Series enables you to do more for less.

## User-selectable transport boost

Gives the operator up to 40hp more in gears D4, D5 & D6 for faster acceleration, maintained forward speed on hilly ground and faster cycle times.

## Common rail fuel injection

Can operate at pressures of up to 2,000 bar and uses electronics to time the exact injection of the fuel, resulting in improved engine performance and fuel efficiency.

## Electronic management system

Continuously monitors engine performance to help increase service life; optimises engine performance; integrates seamlessly with transmission control; and removes the need for cables, reducing dust and noise ingress into the cab.

## Cyclonic pre-cleaner

Uses centrifugal force to remove large dust particles before they enter the filter element, helping to reduce routine maintenance and improve efficiency.

## Sisu 7.4-litre engine

- Stage IV/Tier 4 Final\*
- 4 valve per cylinder technology
- Air-to-air cooling
- 500-hour engine oil and filter renewal
- Built-in fuel efficiency, reliability and durability

## Efficient technology

The new 3000 Series uses SCR (Selective Catalytic Reduction) technology to achieve Tier 4 Final (Stage IV) compliance. SCR uses AdBlue®, a urea-based solution, injected into the exhaust gas to drastically reduce NOx and particulates. This helps to protect the environment, reduce input costs and lower fuel consumption - resulting in fuel savings. By separating engine timing and exhaust after-treatment, SCR also optimises combustion.

\*Also available in Tier 2 variant for non-legislated territories





## P-TRONIC transmission

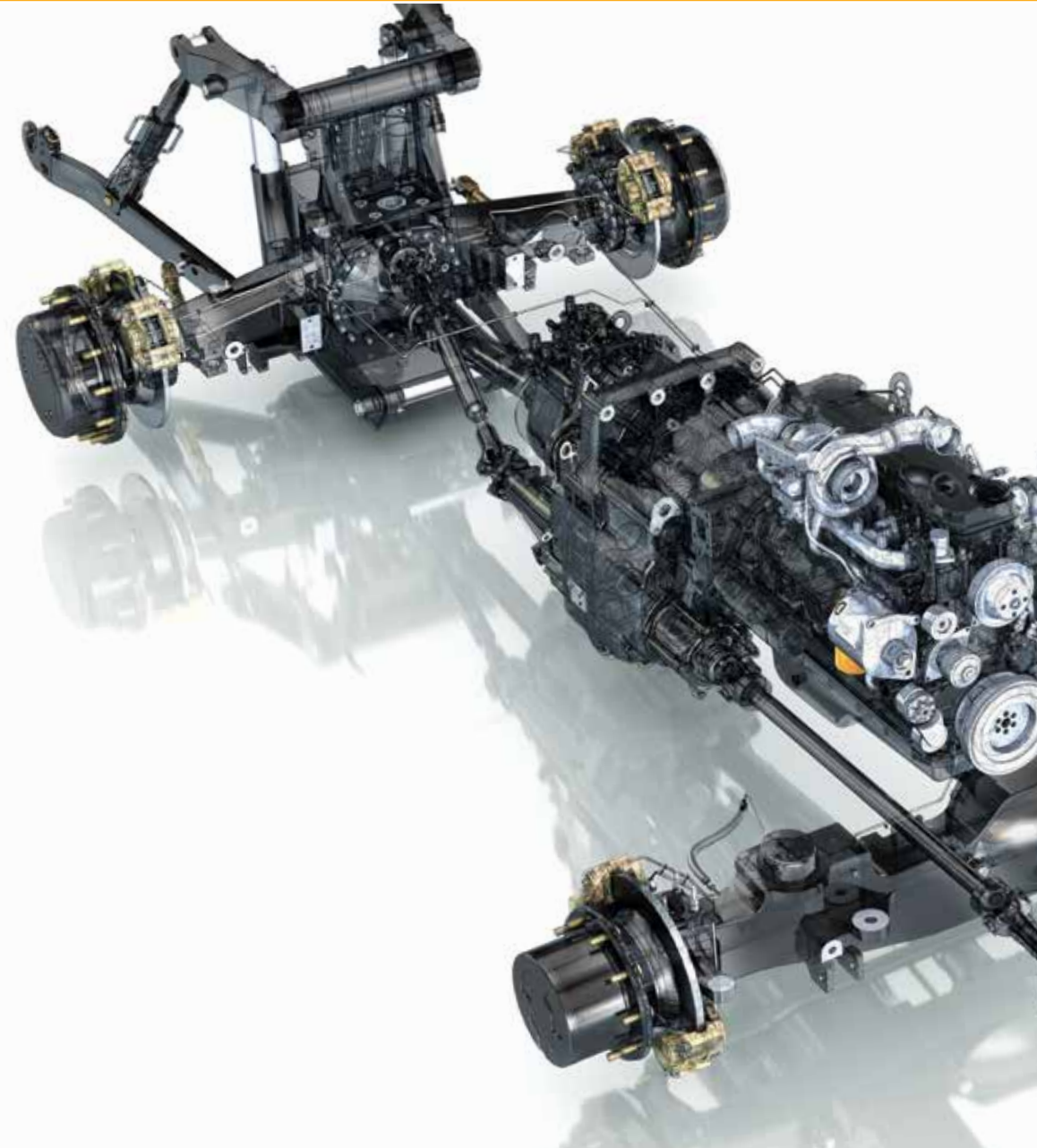
More gear choices for in-field flexibility, with effortless roading

Designed with 'no compromise' in mind, the superb P-TRONIC transmission gives you the best of both worlds. In the field, the broad range of working gears means you always have the right gear for the job, enabling you to achieve the most efficient, productive performance. While on the road, the machine drives like an automatic car with speeds of up to 80kph\* (50mph). In addition, Hill Hold gives effortless start/stop on an incline.

Optimum performance for each job is accomplished effortlessly through selection, via the full-colour, easy-to-use touchscreen, of three transmission modes.

Integral to the transmission are the JCB front and rear axles. Specifically developed for the task, they are engineered to handle increased power and torque with more efficiency and strength.

*\*Territory dependent*





**3 transmission modes for optimum performance**

Simply use the full-colour touchscreen to select between:

**Powershift** – full manual control using the seat-mounted joystick to shift up and down gears and ranges.

**Autoshift** – simply set the required gears and the tractor automatically shifts up or down depending on conditions and engine load, maximising fuel economy and productivity.

**Drive** – in C & D range, engine load, speed, transmission status and position of the foot pedal are constantly assessed and the highest gear selected for optimum fuel economy, unless the system senses you need more power by the position of the throttle.

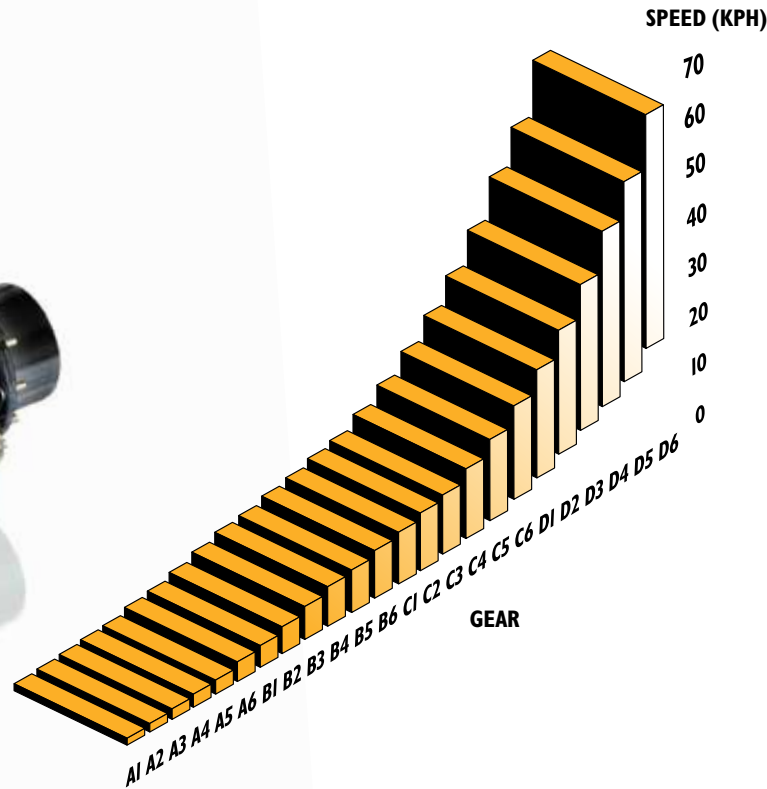
**Xtra-Drive** – the tractor controls the clutch: simply use the brake pedal to start and stop, great when driving in traffic

**Focus on technology**

CAN-BUS technology communicates between engine and transmission to allow the tractor to select the most appropriate gear for the engine load and application. Provides maximum efficiency for improved economy, with low operator effort

**The P-TRONIC advantage**

- 24-speed semi-powershift transmission, up to 80kph\* (50mph)
- Hill Hold allows effortless stop/start on inclines
- Oil-immersed wet clutch gives clutchless gear changes
- Reduced gear and range change times mean faster, sportier shifts
- Range changes made at the touch of a button, or automatically on the road
- Compact gearbox reduces weight and saves space
- Super-finished gears minimise friction and maximise efficiency



## Full front and rear suspension

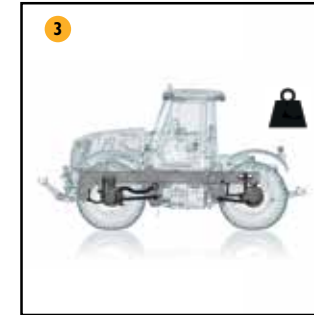
The ultimate ride comfort, traction and implement efficiency



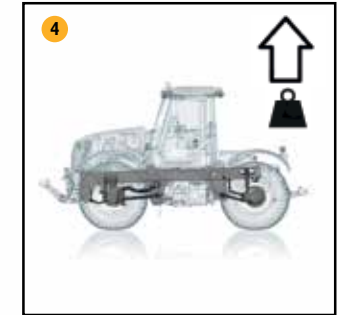
No weight



Weight added



Weight adjusted level



Weight removed

All-round suspension offers some serious performance benefits in the field and on the road.

1. **Reduced compaction and increased traction, with no need to add dead weight, in tough field or yard conditions.**
2. **Smoother ride improves operator and implement efficiency.**
3. **Increased safety and control at higher speeds on highways.**

**Added all together you have a tractor that doesn't compromise. It's faster to get to the job and it's faster to get the job done. The result? Greater productivity.**

### Technology in action

When lifting heavy implements the suspension adjusts to the height of the implement, maintaining optimum ride height. Giving better wheel compliance for maximum traction and minimum compaction.

### How it works...

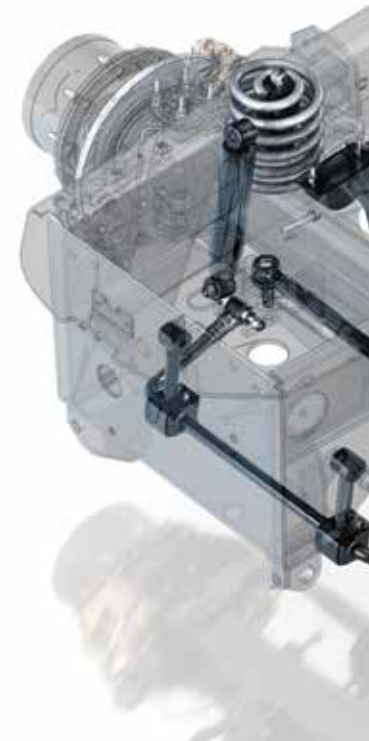
Maintaining constant ride height with self-levelling rear suspension

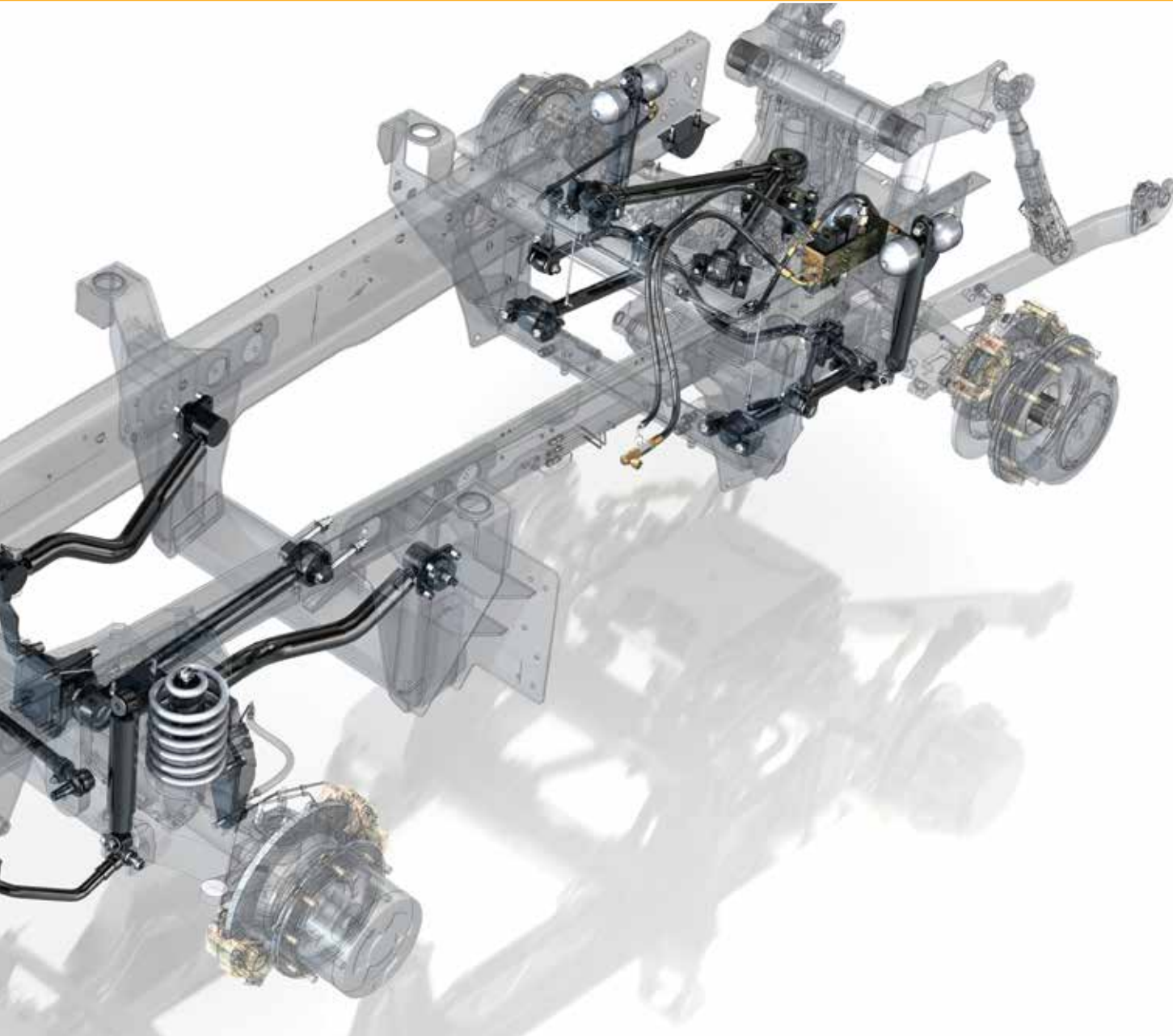
#### As weight is applied to the rear:

- the chassis is lowered in relation to the rear axle (fig 2)
- the ride height corrector valves allow oil to flow in
- this pressurises the hydraulic cylinders which:
  - a) steadily restores original ride height (fig 3)
  - b) increases suspension stiffness to accommodate the extra weight

#### As weight is removed:

- sensors detect the change in height (fig 4)
- ride height corrector valves are displaced in the opposite direction
- this restores ride height to the pre-set level (fig 1)





## **Traction Assist**

### **Traction Assist**

This new traction control feature improves grip and stability on the road by controlling the brakes and engine to direct power to the wheels, resulting in lower running costs due to reduced tyre wear.

### **Chassis design**

3000 Series Xtra Fastracs feature a new chassis designed to cope with stress without excessive increase in weight. This makes it better suited to carrying implements on a number of mounting points than a more conventional, stressed heavy-casting design. The new design, along with new hydraulic pipework, also increases visibility to the front of the machine and improves manoeuvrability with a tighter steering lock.

### **All-round suspension**

The triple-link suspension ensures unrivalled driver comfort and automatic load levelling. The wheels follow ground conditions and eliminate power hop, maintaining traction and increased pulling power.

# Manoeuvrable in the field

Responsive steering and safe stopping on the road

**The best tractor offers responsive turning on the road as well as effortless control at the headland.**

**On the road, power-assisted steering comes into play with precise control from a light touch. But the system is also designed for safety, with the back-up of a mechanical link steering system to maintain control in case of engine failure.**

**Also with an eye on road safety – critical when you reach the high speeds of the Fastrac – is the new proportional controlled ABS braking system. This system gives you additional directional stability in the field, when working on grass or stubble, as well as loose surfaces such as dirt and gravel. Plus, a new chassis design with a reduced turning circle means faster headland turns for more done in a day.**

*\*Territory dependent*



## Anti-lock braking system (ABS). Proven truck technology that has been adapted for tractors

With typical JCB innovative thinking, we applied ourselves to the problems of fitting ABS to an agricultural tractor by adapting proven truck technology:

1. Slower-reacting to compensate for larger diameter wheels.
2. 4-sensor, 3 modulator system for constant monitoring of all wheels and independent control of the rear wheels, giving confidence and control during braking.
3. Proportional control for smoother, more controlled braking.
4. 12-volt trailer ABS supply socket, provides a power supply to a trailer ABS system that works independently of the tractor's system.

Please note: without a dedicated supply some agricultural trailers take the ABS power supply direct from the standard 7-pin trailer lighting socket. Very often this can overload the wiring system.

## The 3000 Series advantage

- High-speed precision, minimum driver effort
- Fail-safe steering system
- Responsive headland turning
- Powerful, controlled braking
- Additional ABS safety, control and directional stability

## Mechanical steering system with power assistance

**Safe** – mechanical link steering continues to provide steering in the event of engine failure.

**Responsive** – system gives better feedback to the driver when travelling on the road at high speed. Power assistance allows steering to be controlled with a light touch.

## Stay safe, controlled and stable

- Large external disc brakes on each wheel offer excellent cooling and fade-free braking
- Air-over hydraulic systems are split between front and rear axles for added safety
- Greater braking power on the front axle (like on a car) gives full control even in an emergency
- Twin calliper system provides phenomenal stopping power
- Independent parking brake and full trailer braking equipment as standard
- System meets EU truck standards





# GPS autosteer

The 3000 Series GPS 'ready' system has the ability to reduce inputs and increase efficiency by as much as 10%. Every inch of the field is used, reducing waste and ensuring you get more out of the land; operating costs are lowered with less seed, fertiliser, pesticide and fuel used per task; and operation is easier, requiring less concentration for reduced fatigue and man hours.

The combined result is an already high-performance machine made even more productive than you ever thought possible.



## Increased efficiency and productivity

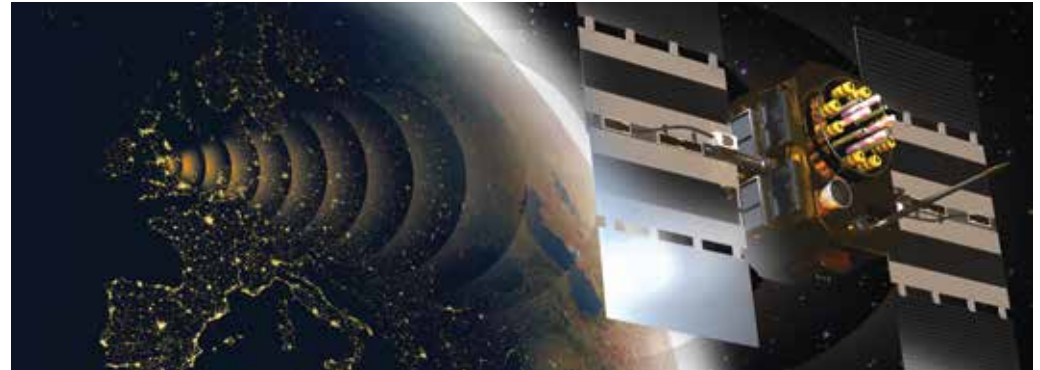
**Greater area coverage** – achieved through consistent use of the full working width of machine and implement

**More efficient working pattern** – ensuring you get the maximum productivity from every square inch of land

**True precision** – with no overlaps and no misses

**Total accuracy** – even in poor visibility and, thanks to the full suspension system reducing GPS receiver movement on bumpy ground

**Fast, accurate lock-on to way lines** – thanks to the rear GPS receiver mounting position



## Efficient technology

NEW GPS 'ready' system can reduce inputs and increase efficiency by up to 10%.

For machine safety, when GPS is not required - ie, on the road - patented JCB technology allows the tractor to revert to mechanical link steering which allows safe control at high speed.

## Reduced operating costs

**Less wastage** – thanks to greater accuracy and precision, resulting in lower costs for seed, fertiliser, pesticide, fuel and man hours

**Reduced working width and overlaps** – research proves these to be bigger without GPS resulting in increased diesel, machine, fertiliser and protection product costs

**More operator productivity** – thanks to a system that requires less concentration, reducing fatigue and extending the working day

## Simple, precise control

**Integrated system** – is easy to activate leaving the operator free to concentrate on the implements and the task in hand, rather than on driving in a straight line and minimising overlap

**Fast, precise, sensitive steering corrections** – via the patented proportional steering valve with feedback to the driver as the steering wheel turns

**Easy to use** – allowing even novice operators to achieve high productivity levels

**Easily overridden** – when necessary by moving the steering wheel to regain manual control





## 50:50 weight distribution

Better traction, reduced wear, improved efficiency and implement handling

**The 3000 Series Xtra achieves perfect weight distribution, spreading the load for better traction and effective transmission of power, reduced tyre wear and even more efficient, productive performance. It also results in better weight transfer with mounted implements for excellent stability and control.**

**The 3000 Series features high-speed tyres which can carry more at lower pressures. So, during top work the machine weight provides traction, whilst lowering the tyre pressures means there's no compaction. Larger tyre options for less compaction resulting in lower fuel usage and greater yields.**

**The perfect weight distribution of 3000 Series models lessens the need for ballasting, but we have also ensured there is still the capability for additional performance ballasting to support the largest of implements.**

### The 3000 Series advantage

Perfect weight distribution gives:

- Better traction
- Reduced tyre wear
- More efficient use of power

High-speed tyres results in:

- Lower ground bearing pressure
- Higher load capacity

Optional larger tyres result in:

- Reduced compaction
- Lower fuel consumption
- Greater yields



### Improved implement handling

Perfect weight distribution results in a smoother action, improving implement handling. This is enhanced even further by the Fastrac's all-round suspension which, thanks to rubber bushes within the suspension links, allows the rear axle to rotate forwards and backwards giving implement cushioning; minimising jolts for the operator and implement. Cushioning also prolongs the life of the implement, gives greater stability when travelling at speed and results in better wheel compliance for the front axle for greater stability and control.

As the rear trailer hitch is fitted to the rear axle, it provides trailer hitch damping in a similar way. The rear 3-point hitch also features hitch dampening, working in harmony with the suspension system and further cushioning the ride for the implement.



# Xtra versatility

## The perfect hydraulic flow and connection for every implement

**Everything about the 3000 Series is designed to help you get the in-field job done faster and more efficiently.**

**So, via the easy-to-use touchscreen, we put you in instant control of class-leading hydraulic flows for high speed and quicker cycle times. And whatever implement you need to use, we ensure quick and easy connection, using the fender-mounted buttons. Operating implements is also extremely accurate thanks to digital sensing on the rear linkage along with optional wheel slip control, and electronic front linkage controls.**

**To protect the hydraulics, the system is segregated, avoiding contamination from the driveline, while auxiliary hydraulic oil is carefully filtered, keeping the system clean and preventing damage to hydraulic components.**

### Power and precise control when you need them

- Load-sensing variable displacement auxiliary hydraulic pump features maximum flow of 132 litres/min
- Big capacity, flow-on-demand hydraulics give 100-litre/min maximum outputs per valve
- Optional load-sensing power beyond connection saves fuel and wear, and prevents excessive heat generation in the hydraulic system
- Electronically controlled spool valves let you adjust time and flow for automatic control of implements
- Further hydraulic pumps provide oil for transmission, steering, PTOs and difflocks to avoid damage or contamination

### Rear linkage

- Proven Bosch Hitchtronic system helps maintain precise control of implement height, depth, lowering speed and general response
- Wheel slip control is available with the optional performance monitor to help achieve maximum progress in tough conditions
- High capacity (6000 – 8000kg)
- Optional automatic stabilisers to allow increased linkage movement
- Dynamic axle mounting system ensures implements are isolated from jolts that can limit effectiveness

### Front linkage

- Category 2 electronic front linkage gives both single and double actuation at the flick of a switch, as well as height, depth and linkage operating speed controls
- Optional 3.500kg front implement, chassis-mounted linkage systems

### The 3000 Series advantage

- Class-leading flows for faster cycle times
- Quick implement connect
- Fine control of implements
- Load-sensing system saves fuel and wear







**The 3000 Series advantage.  
Ultimate Versatility.**

### **Productivity**

Transport boost for more power at speed

Optimum performance in any application, automatically

Relaxed, comfortable operators get more done in a day

Faster cycle times

More responsive and manoeuvrable in the field

Much quicker travel on road between fields

More accurate implement handling

GPS 'ready' for reduced fatigue and a longer working day

### **Safer, more comfortable**

Fade-free, proportional control ABS braking

Continued steering in the event of engine failure

Improved handling and stability

Controlled, more powerful braking for higher speeds

Superb all-round visibility, day and night

Smooth ride and superb in-cab comfort

Exceptionally low engine noise and vibration

Traction Assist for added grip and control on the road

### **More efficient**

Maximum traction, minimum compaction

Power supplied when needed, fuel saved when you don't

Reduced tyre wear

Implement is cushioned to prolong life

Simple, low-effort manoeuvres with Headland Turn Assist

Improved turning circle for greater manoeuvrability

No power hop

Optimum ride height maintained

### **Easier to use**

Ergonomic and intuitive

Easy to get to grips with via touchscreen

Complicated manoeuvres are simplified

Reduced operator reaching, twisting and stretching

Xtra Drive for clutchless start stop

Hill hold for effortless start/stop on inclines

# History of reliability

A commitment to excellence for dependable performance



Original prototype 1991



185 Fastrac – 1994



3155/3185 Fastrac – 1998



3190/3220 – 2002

**The 3000 Series builds on the principle of solid reliability that has always been the watchword of Fastracs since we introduced them in 1991. Our machines provide productive performance in some of the world's most arduous conditions, some with in excess of 30,000 hours on the clock. A true testament to the build quality and durability of these incredible machines.**

**In addition, and in keeping with JCB's commitment to constant innovation, over many years of research and development we have always retained the best machine features whilst adding technological advances that mean our machines keep on getting better and better.**

## Fastrac history

- 1991 – Production of 100 Series Fastracs begins
- 1995 – Production of smaller 50kph 1100 Series Fastrac begins
- 1996 – Quadtronic 4WS introduced
- 1998 - Fastrac 2000/3000 Series replace 1100/100
- 2000 - Smoothshift oil-immersed wet clutch introduced
- 2001 - ABS braking\* available on all ranges
- 2005 - Fastrac 8250 launched with 8.3-litre Cummins engine
- 2006 - Fastrac 3200 and 3230 launched with 6.7-litre Cummins engine
- 2007 - Fastrac 2155 and 2170 launched
- 2008 - Fastrac 7000 Series launched
- 2010 - Fastrac 3000 Series Xtra launched
- 2011 - Fastrac 8000 Series launched
- 2011 - Stage IIIB/Tier 4 interim 3000 Series Xtra launched
- 2014 - Stage IV/Tier 4 Final 3000 Series Xtra launched

## Meticulous quality control of every machine

Thorough checks, conducted throughout the entire build process, are complemented by:

- Dynamometer testing of every machine to verify engine performance
- Gruelling hot test analysing the whole vehicle including engine, transmission, hydraulics and brakes
- Intensive PDI process ensures an impeccable quality control





## Built for the real world

These machines won't let you down



**Conditions do not come much more rougher and tougher than in agriculture, so you need a machine that can cope; a machine that will continue giving you superb service, season after season.**

**The 3000 Series is not just constructed for a smooth operator ride. Ironing out those bumps and jolts also means there's less stress on the machine and implements for a longer life. And on the subject of durability, with JCB's reputation for leading build quality you know these machines are going to last and last.**

**We have also ensured that maintenance on the 3000 Series can be carried out as quickly, safely and efficiently as possible, with simple access to every component and area for daily checks, and long service intervals. Throw JCB's industry leading customer support into the mix and you have machines that just keep on giving.**

- Separate hydraulic system for auxiliary, eliminates risk of oil contamination.
- Layout of cooling elements allows access to each section for quick, efficient removal of debris.
- New cooling pack and on-board compressor ensure easy regular cleaning for maximum efficiency.
- Donaldson Powercore system uses centrifugal force to remove large dust particles before they enter the filter element, helping to reduce routine maintenance.
- Electronic Monitoring System continuously monitors engine performance to increase service life.
- After 100 & 500-hour service, engine oil and filters are renewed every 1000 hours.
- New lightweight bonnet featuring superior sealing and side panels gives better access and reduced dust ingress.
- Top-end engine maintenance is only required every 5,000 hours.
- Full chassis construction means that unlike conventional tractors, the engine and transmission are not stressed, load-bearing components.
- New panniers reduce exposed steelwork for less paint damage at access points, and make daily checks more accessible.
- New ball trailer hitch options reduce hitch wear.
- Heavy-duty front suspension is extremely robust.
- Outboard disc brakes are easier to service.
- Daily service requirements are all quickly and easily accessible.
- AdBlue® and fuel fillers are conveniently located at ground level.







## JCB expertise

### The best back-up in the business

JCB is renowned for providing legendary customer support. Our dealers are all specialists in agriculture so they know exactly what they're talking about. And of course, they're committed to ensuring that your 3000 Series completely fulfills its potential, ensuring you maximum uptime for optimum productivity.

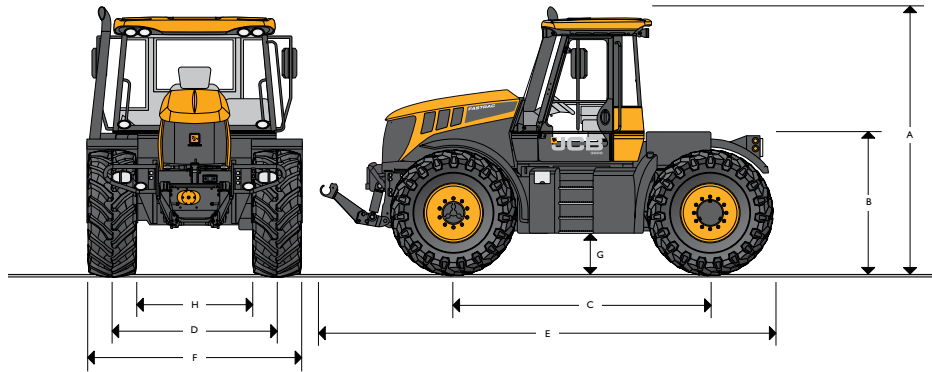
At the heart of our support network is the JCB World Parts Centre, a state-of-the-art facility operating 24/7 to dispatch more than a million genuine parts and attachments every week to our dealers and distribution centres: we are there when you need us.

Just as important as genuine JCB parts are the people who fit and maintain them. Our JCB-trained technicians in all of our dealerships provide excellent, expert customer care, whether it's routine servicing or something more urgent.

It's all part of our commitment to putting the customer at the heart of our business.



FULLY SUSPENDED WITH 4-WHEEL ABS DISC BRAKING (TERRITORY DEPENDENT), JCB P-TRONIC TRANSMISSION.



**STATIC DIMENSIONS**

Tyres	540/65R34	495/70R24
	m (ft-in)	m (ft-in)
A Height to exhaust	3.21 (10-6)	3.09 (10-1)
B Height to deck	1.59 (5-2)	1.47 (4-10)
C Wheelbase	3.06 (10-0)	3.06 (10-0)
D Track width	2.01 (6-8)	1.87 (6-2)
E Overall length	5.20 (17-1)	5.20 (17-1)
F Overall width	2.52 (8-3)	2.37 (7-9)
G Ground clearance	0.45 (1-5)	0.33 (1-1)
H Width between tyres	1.49 (4-11)	1.38 (4-6)

**SUSPENSION**

**Front:** Coil spring and damper, microcellular secondary spring.  
**Rear:** Hydro-pneumatic self levelling.

**ELECTRICAL SYSTEM**

System voltage	Volt	12
Alternator output	Amp	200
Battery capacity	Amp hour	2 x 105

Electrical wiring – to IP67 standard.

**ENGINE**

		3200	3230
Rated engine speed	rpm	2100	2100
Gross power	hp (kW)	190 (142)	220 (164)
Max. gross power	hp (kW)	195 (145)	230 (172)
Transport boost gross power*	hp (kW)	220 (164)	260 (194)
Max. torque	Nm	960	1015
Max torque engine speed	rpm	1500	
Make		AGCO Power	
Model		74 AWF	
Injection		Common Rail	
No of cylinders		6	
Capacity	cc	7365	
Bore	mm	108	
Stroke	mm	134	
Cooling		Water	
Air cleaner		Power core dry element	
Aspiration		Turbocharged and aircharge cooled	

\*Only available for transport applications in gears D4, D5 & D6.

**CAPACITIES**

	litres (UK gal)
Fuel tank	400 (88)
Hydraulic tank	103 (22.7)
Urea tank	57 (12.5)*

\*No UREA tank for Tier 2 regions/territories

**HYDRAULICS**

**3 point linkage:** Electronic draft/position intermix, rate of drop, adjustable lift height, plus external lift and lower.

**Rear hitch:** 7000kg (15431lb)\*; Category III; Quick attach hook ends, eye end top link.

**Front hitch (optional):** Lift capacity at link ends – 3500kg; Category II; Folding, quick attach type.

\*(Optional 8000kg lift capacity on both models).



### AUXILIARY HYDRAULICS

Oil flow at rated speed:	126 l/min
Operating pressure:	210 bar
Spool valves:	Electronic 7 position double acting with flow and time control, float position, constant pump and zero leak.
Standard:	3 spool valves to rear
Optional:	4 spool valves to the rear Load sensing hydraulic connection 1 or 2 front supplies Front free flow return
Couplers:	Deluxe Quick release/spill-off piped to reservoir.
Pipework/hose:	BSP standard.

### POWER TAKE OFF

Type:	Fully independent to front and rear (front optional).
Actuation:	Electro-hydraulic.
PTO speed option 1:	540rpm @ 1930 engine rpm 1000rpm @ 1890 engine rpm
PTO speed option 2:	540rpm @ 1580 engine rpm 1000rpm @ 1890 engine rpm
PTO power:	<b>3200</b> – 168hp, 125.3kW <b>3230</b> – 190hp, 141.7kW
Speed change:	By in-cab lever, 540: neutral: 1000rpm Front and rear always rotate at same speed.
Output spline:	6 or 21 1 $\frac{3}{8}$ " diameter.

### AXLES

Both axles:	Beam type with outboard epicyclic reduction hubs. 10 stud wheel retention on front axle. 12 stud wheel retention on rear axle. Four-wheel drive selectable by rotary switch – electro-hydraulic sprung on/pressure off (on the move). Both front and rear differentials electro-hydraulic soft engage clutch type. 2 ABS speed sensors and pole wheels.
-------------	--

### STEERING

Type:	Re-circulating ball, power assist.
Column:	Tilt and telescope adjustable.
Turning circle:	Kerb to kerb 15.5m on 540/65R34 @ 2015mm (80") track. 13.95m on 540/65R30 @ 2015mm (80") track. 13.28m on 495/70R24 @ 1875mm (74") track.

### BRAKES

Standard:	ABS with twin caliper outboard discs on all four wheels and heavy-duty suspension system.
Operation:	Air over hydraulic to EEC truck specification.
Park brake type:	Independent disc on transmission output shaft.
Actuation:	Sprung on, air pressure off.
Trailer brakes:	1. Twin line air brakes. 2. Single line hydraulic brakes for agricultural use for speeds up to 20mph. 3. Air trailer brake automatically applied by tractor park brake. 4. ABS 12v trailer supply socket as standard.



## WHEELS AND TYRES

4 equal sized, welded wheels. Rear centres differ to accommodate large reduction hubs. Front directional and rear fixed fenders. Fixed pannier mounted fenders.

### Factory fit

	Rate	Track mm (in)	65 km/hr	80 km/hr
495/70R24	G	1875 (74)		●
540/65R30	D	1930/2015 (76/80)	●	
540/65R34	D/E	2015 (80)	●	
600/70R30	D/E	1930 (76)	●	
500/70R24	D	1875 (74)	●	

### Approved field fit tyres

Operation/Tyre	Typical Track mm (in)
<b>Low ground pressure</b>	
580/70R26	2075 (82)
600/55R26.5	2075 (82)
600/55R30.5	2075 (82)
600/60R30.5	2075 (82)
620/70R26	2075 (82)
700/50R26.5	2075 (82)
750/45R30.5	2075 (82)
750/50R30.5	2075 (82)
800/40R26.5	2075 (82)
54-31 R26	2160 (85)
<b>Row Crop*</b>	
420/85R34	1830 (72)
13.6R38	1830 (72)
18.4R30	1830 (72)

Dual wheels are permitted to be fitted to the rear axle only. Tyre load speed rating and axle plated weight must not be exceeded under any circumstances. If in doubt refer to the operators handbook or tyre supplier.

\*Please note load capacity of tyre

## CAB

High specification, 2 door, full width, low noise.

### Standard equipment includes:

Full cab air conditioning.  
Air suspension seat.  
Dust filter and heater.  
Tinted glass.  
Front and rear wash wipe.  
Truck type rear view mirrors.  
Full lighting set including direction indicators, hazard lights, 4 front and four rear work lights.  
12v power socket.  
Passenger seat.  
Seat belts.  
Cigar lighter and ashtray.  
Side console illumination.  
Digital clock.  
Beacon.  
Storage compartment.  
Radio preparation.  
Sun blind.  
Cable access through rear window.  
Rear fender mounted PTO cut-out switch.

The above specification may vary according to territory.

## OPTIONAL EQUIPMENT

Front hydraulic linkage (Category II) complete with front mounted controls.  
Front PTO, single output.  
Four auxiliary spool valves.  
Load sensing hydraulic connection.  
Front weights.  
Rear deck weight.  
Heavy-duty suspension cylinders.  
Front hydraulic service ('T' spool 3) or front hydraulic services ('T' spool 3 & 4).  
Front free flow return.  
20 spline (1.75") PTO stub.  
6 spline (1.75") PTO stub.  
Field Performance package including: Radar speed meter with wheel slip control and Headland Turn Assist system.  
6 front and 4 rear worklights or 8 front and 6 rear worklights.  
Xenon worklight package (2 front, 2 rear Xenon with 6 front, 4 rear standard).  
Roof hatch.  
Deluxe heated drivers seat.  
Auxiliary Audio input.  
Automatic rear linkage stabilisers.  
540E/1000 rpm PTO option.  
Hook end top link.  
Heated windscreen, with heated and electrically adjustable mirrors.  
GPS autosteer preparation.  
Rear hitch camera.  
Solar glass.  
Road performance package.  
Fender spool control.  
80mm ball option.





## TRANSMISSION

Semi-powershift with 24 forward, 9 reverse gears. Clutchless gear range changing with 3 transmission modes.

	Gear	Speed km/hr
Forwards	D6	69
	D5	60
	D4	50.3
	D3	41.8
	D2	34.7
	D1	28.7
	C6	23.8
	C5	19.7
	C4	16.6
	C3	13.7
	C2	11.4
	C1	9.5
	B6	12.7
	B5	10.5
	B4	8.8
	B3	7.3
	B2	6.1
	B1	5.1
Reverse	A6	4.6
	A5	3.8
	A4	3.2
	A3	2.6
	A2	2.2
	A1	1.8
	A1	1.7
	A3	2.5
	A5	3.6
	B1	4.8
B3	7	
B5	10.1	
C1	9.1	
C3	13.1	
C5	18.9	

540/65 R34 tyres at rated engine speed (2100rpm).

\*Speed limited

## VEHICLE WEIGHTS

Based on 3230 with full fuel and hydraulic tanks, no driver and no ballast.

	Front axle	Rear axle	Total
	kg	kg	kg
Machine with weight tray	4307	3943	8250
Machine with front linkage & PTO	4750	3860	8610

## REAR LOAD PLATFORM

**Maximum dimensions:** 1.25 x 2.25m

**Capacity:** 2500kg (5511lb)  
3250kg (7165lb) with heavy-duty suspension cylinders.

**Sprayers:** As approved by JCB Landpower up to 2000 litres and 24m booms.

**Note:** All deck mounted equipment currently fitted to other JCB Fastracs will fit this machine with minimum modification.

## Agricultural heritage

From our first agricultural tipping trailer to a global brand



**JCB is no run-of-the-mill company. From the dreams of one man, Joseph Cyril Bamford, and our beginnings in agricultural machinery, we have grown into a major world brand. Since 1945, the same attention to detail, passion for progress and intrepid family spirit has taken us from strength to strength.**

JCB operates across all five continents, manufacturing at 17 factories in the UK, Brazil, Germany, China, North America and India. We have over 1,500 dealerships and depots selling and supporting our products in excess of 150 countries, we boast some of the finest engineering facilities in the world.

We're also renowned for producing some of the most innovative and popular farm machinery in the world, which includes the Fastrac and the world-beating loadall, along with wheeled loading shovels that are designed specifically for farming, not adapted from construction.

Our dedication to innovation in agriculture is unceasing; we will never forget our roots.





**ONE COMPANY, OVER 300 MACHINES.**

Your nearest JCB dealer

**Fastrac 3000 SERIES XTRA**

Max power: 195hp (145kW) – 230hp (172kW) Lift capacity: 8 tonnes

JCB Agriculture, Rokester, Staffordshire, United Kingdom ST14 5JP.

Tel: +44 (0)1889 590312 Email: [salesinfo@jcb.com](mailto:salesinfo@jcb.com)

Download the very latest information on this product range at: [www.jcb.com](http://www.jcb.com)

©2009 JCB Sales. All rights reserved. No part of this publication may be reproduced, stored in a retrieval system, or transmitted in any form or by any other means, electronic, mechanical, photocopying or otherwise, without prior permission from JCB Sales. All references in this publication to operating weights, sizes, capacities and other performance measurements are provided for guidance only and may vary dependant upon the exact specification of machine. They should not therefore be relied upon in relation to suitability for a particular application. Guidance and advice should always be sought from your JCB Dealer. JCB reserves the right to change specifications without notice. Illustrations and specifications shown may include optional equipment and accessories. All images are correct at time of print. The JCB logo is a registered trademark of J.C. Bamford Excavators Ltd.

